

Modulating globe valve actuator for 2-way and 3-way globe valves

- Actuating force 1500 N
- Nominal voltage AC/DC 24 V
- Control Modulating DC (0)2...10 V
- Nominal stroke 20 mm
- Actuating time 35 s / 20 mm


Technical data

Electrical data	Nominal voltage	AC/DC 24 V	
	Nominal voltage frequency	50/60 Hz	
	Nominal voltage range	AC 19.2...28.8 V / DC 21.6...28.8 V	
	Power consumption in operation	4 W	
	Power consumption in rest position	1.5 W	
	Power consumption for wire sizing	6 VA	
	Connection supply / control	Terminals with cable 1 m, 4 x 0.75 mm ² (Terminal 4 mm ²)	
	Parallel operation	Yes (note the performance data)	
	Functional data	Actuating force motor	1500 N
		Positioning signal Y	DC 0...10 V
Positioning signal Y note		Input impedance 100 kΩ	
Operating range Y		DC 2...10 V	
Position feedback U		DC 2...10 V	
Position feedback U note		Max. 0.5 mA	
Position accuracy		5% absolute	
Manual override		Gear disengagement with push-button, can be locked	
Nominal stroke		20 mm	
Actuating time		35 s / 20 mm	
Safety	Adaption setting range	manual (automatic on first power-up)	
	Sound power level motor	60 dB(A)	
	Position indication	Mechanically, 5...20 mm stroke	
	Protection class IEC/EN	III Safety extra-low voltage	
	Degree of protection IEC/EN	IP54	
	EMC	CE according to 2004/108/EC	
	Certification IEC/EN	IEC/EN 60730-1 and IEC/EN 60730-2-14	
	Mode of operation	Type 1	
	Rated impulse voltage supply / control	0.8 kV	
	Control pollution degree	3	
Weight	Ambient temperature	0...50°C	
	Non-operating temperature	-40...80°C	
	Ambient humidity	95% r.h., non-condensing	
	Maintenance	Maintenance-free	
Weight approx.	1.4 kg		

Safety notes


- This device has been designed for use in stationary heating, ventilation and air conditioning systems and is not allowed to be used outside the specified field of application, especially in aircraft or in any other airborne means of transport.
- Only authorised specialists may carry out installation. All applicable legal or institutional installation regulations must be complied during installation.
- The switch for changing the direction of motion and so the closing point may be adjusted only by authorised specialists. The direction of motion is critical, particularly in connection with frost protection circuits.
- The device may only be opened at the manufacturer's site. It does not contain any parts that can be replaced or repaired by the user.

Safety notes

- The device contains electrical and electronic components and is not allowed to be disposed of as household refuse. All locally valid regulations and requirements must be observed.

Product features

Principle of operation	The actuator is connected with a standard modulating signal of DC 0 ... 10V and travels to the position defined by the positioning signal. The measuring voltage U serves for the electrical display of the actuator position 0 ... 100% and as slave control signal for other actuators.
Simple direct mounting	Simple direct mounting on the globe valve by means of form-fit hollow clamping jaws. The actuator can be rotated by 360° on the valve neck.
Manual override	Manual override with push-button possible (the gear is disengaged for as long as the button is pressed or remains locked). The stroke can be adjusted by using a hexagon socket screw key (4 mm), which is inserted into the top of the actuator. The stroke spindle extends when the key is rotated clockwise.
High functional reliability	The actuator is overload protected, requires no limit switches and automatically stops when the end stop is reached.
Combination valve/actuator	Refer to the valve documentation for suitable valves, their permitted medium temperatures and closing pressures.
Position indication	The stroke is indicated mechanically on the bracket with tabs. The stroke range adjusts itself automatically during operation.
Home position	Factory setting: Actuator spindle is retracted. When valve-actuator combinations are shipped, the direction of motion is set in accordance with the closing point of the valve. The first time the supply voltage is switched on, i.e. at the time of commissioning, the actuator carries out an adaption, which is when the operating range and position feedback adjust themselves to the mechanical setting range. The actuator then moves into the position defined by the positioning signal.
Direction of rotation switch	When actuated, the direction of stroke switch changes the running direction in normal operation.
Adaption and synchronisation	An adaption can be triggered manually by pressing the „Adaption“ button. Both mechanical end stops are detected during the adaption (entire setting range). The actuator then moves into the position defined by the positioning signal.

Accessories

	Description	Type
Electrical accessories	Auxiliary switch, 2 x SPDT, add-on	S2A-H



Electrical installation

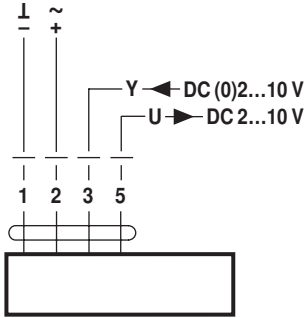


Notes

- Connection via safety isolating transformer.
- Parallel connection of other actuators possible. Observe the performance data.
- Direction of stroke switch factory setting: Actuator spindle retracted.

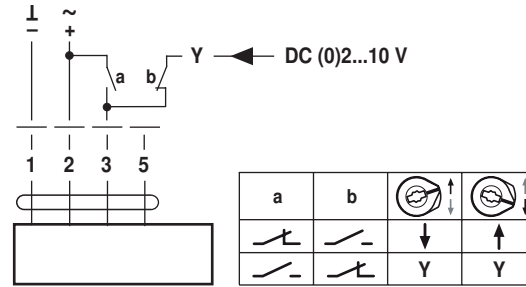
Wiring diagrams

AC/DC 24 V, modulating

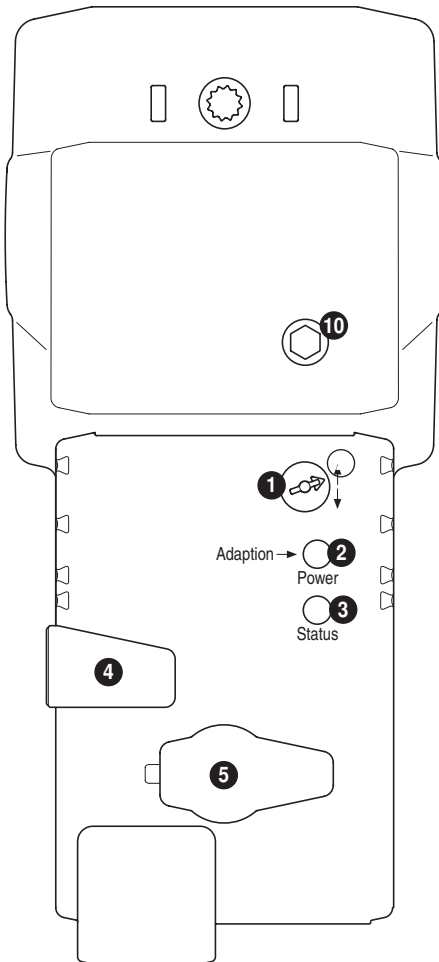


Cable colours:
 1 = black
 2 = red
 3 = white
 5 = orange

Override control (frost protection circuit)

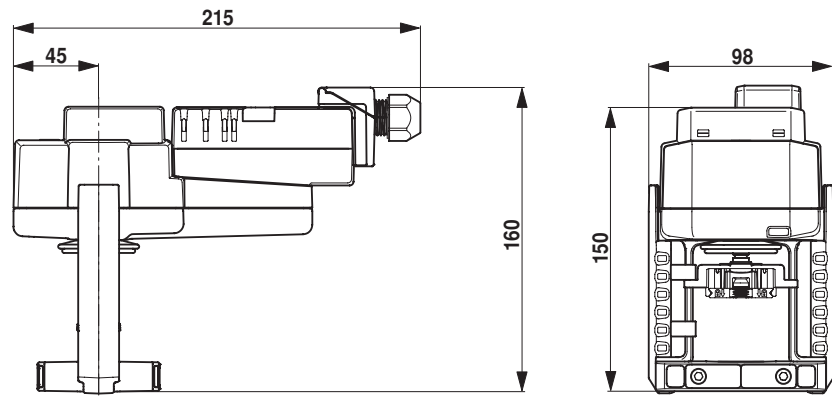


Operating controls and indicators



- 1 Direction of stroke switch**
 Switch over: Direction of stroke changes
- 2 Push-button and LED display green**
 Off: No power supply or malfunction
 On: In operation
 Press button: Triggers stroke adaptation, followed by standard mode
- 3 Push-button and LED display yellow**
 Off: Standard mode
 On: Adaptation process active
 Press button: No function
- 4 Gear disengagement button**
 Press button: Gear disengages, motor stops, manual override possible
 Release button: Gear engages, synchronisation starts, followed by standard mode
- 5 Service plug**
 No function
- 10 Manual override**
 Clockwise: Actuator spindle extends
 Counterclockwise: Actuator spindle retracts



Dimensions [mm]**Dimensional drawings****Further documentation**

- Overview Valve-actuator combinations
- Data sheets for globe valves
- Installation instructions for actuators and/or globe valves
- Notes for project planning 2-way and 3-way globe valves
- General notes for project planning