

Y TYPE CHECK VALVE



DESIGN STANDARD: GB/T12236

TEST&INSPECTION: GB/T13927

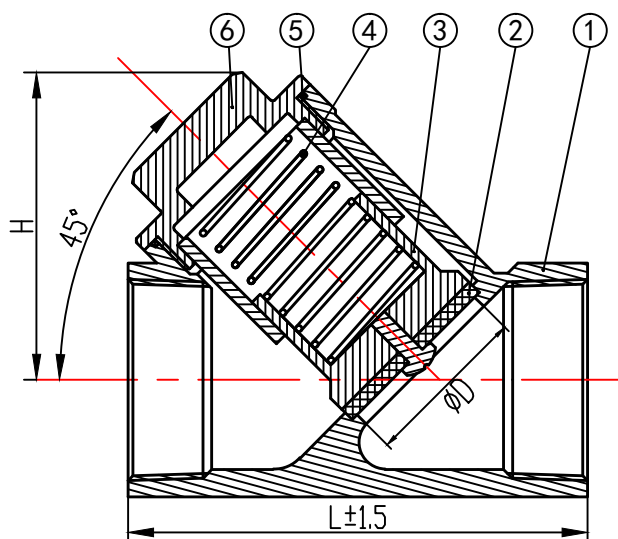
THREADED ENDS: PT, BSPT, BSP, NPT, DIN2999, DIN259, DIN EN ISO228

PRODUCT STYLE: YH11-800WOG (P/R)

WORKING PRESSURE: 800PSI

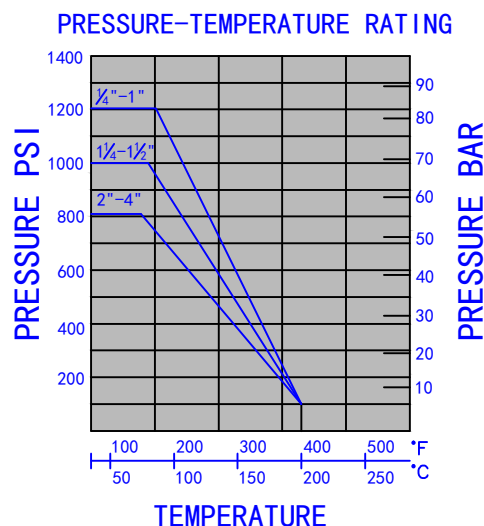
TEMPERATURE RANGE: -20°C~180°C

MATERIAL: ASTM-A351-CF8M, ASTM-A351-CF8



MAIN PARTS MATERIALS:

NO.	零件名称 PART NAME	材质 MATERIAL	数量 QTY
1	BODY	CF8/CF8M	1
2	DISC SEAT	PTFE/RPTFE	1
3	DISC	CF8/CF8M	1
4	SPRING	S201/S304	1
5	JOINT GASKET	PTFE/RPTFE	1
6	CAP	CF8/CF8M	1



MAIN SIZE:

SIZE	1/4"	3/8"	1/2"	3/4"	1"	1 1/4"	1 1/2"	2"	2 1/2"	3"	4"
DN	8	10	15	20	25	32	40	50	65	80	100
D	8	10	15	20	25	32	40	50	65	80	100
L ± 1.5	54	54	59	73	84	97	106	127	165	188	232
H	35	35	45	60	63	80	88	109	138	153	196
KG	0.155	0.145	0.195	0.325	0.46	0.67	0.89	1.51	2.98	4.98	7.58