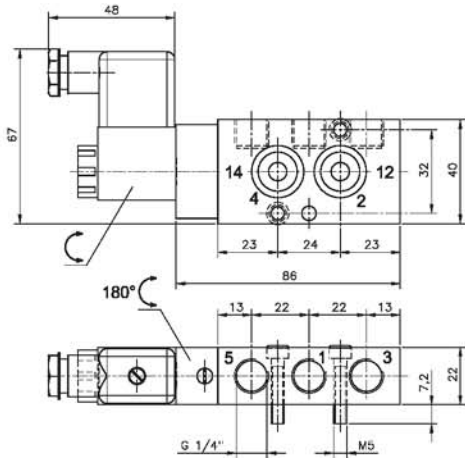


**ΗΛΕΚΤΡΟΜΑΓΝΗΤΙΚΕΣ ΒΑΛΒΙΔΕΣ 5/2
ΑΠΛΕΣ ΚΑΙ ΑΝΤΙΕΚΚΡΗΚΤΙΚΕΣ**



MNH 510 701/MNH 511 701



5/2-way solenoid valve actuated by permanent signal. Interface according to Namur standard.

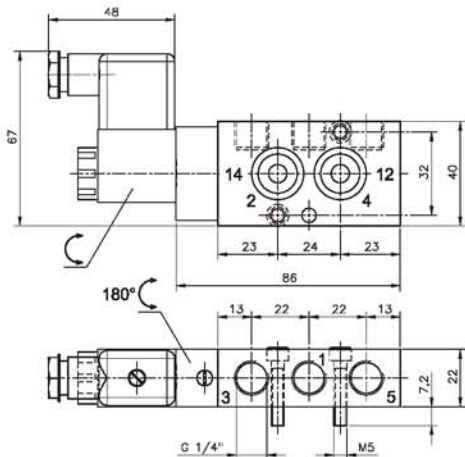
MNH 510 701, MNH 510 711 and MNH 510 121 with pneumatic spring return, MNH 511 701 with combined spring assuring a fail-safe function in case of cut-off of pressure supply.

Available with actuators:
230V/50Hz, 110V/50Hz, 24V/50Hz, 48V=, 24V=, 12V=.

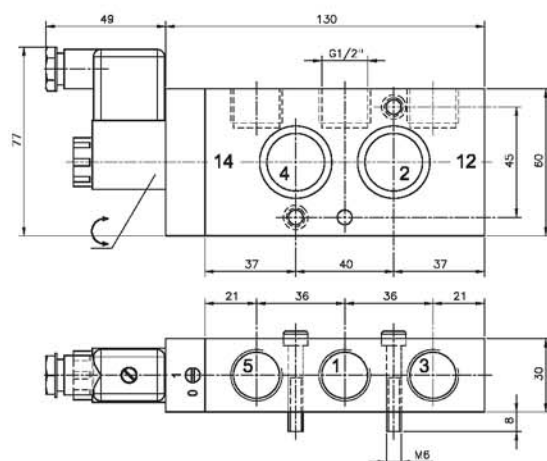
The valves are generally equipped with manual override to turn. If requested without manual override please order MN 51 _ _ _ _.

Also available with external pilot feed and mechanical spring return. If requested please order MENH 511 _ _ _ _ (add 3 digits for size).

Delivery includes 1 pin, 2 screws, 2 O-rings and 1 connector as shown on the photo.



MNH 510 711 ports 2,4,3,5 are swapped!



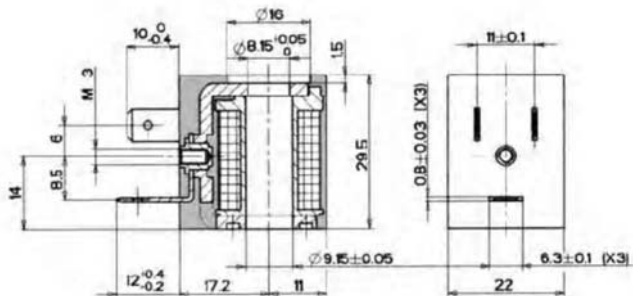
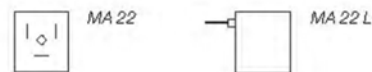
MNH 510 121

Versions with pure pneumatic spring are available in ATEX-approved EEx-versions EEx M and EEx i.A.. Please refer to page 2.9.2.

Type	Port size	Air flow	Operating press.	Power consumption	Weight
MNH 510 701	G 1/4"	1250 l/min	1,5 - 10 bar	3 W = / 5 VA ~	0,27 kg
MNH 510 711	G 1/4"	1250 l/min	1,5 - 10 bar	3 W = / 5 VA ~	0,27 kg
MNH 511 701	G 1/4"	1250 l/min	2,5 - 10 bar	3 W = / 5 VA ~	0,27 kg
MNH 510 121	G 1/2"	3000 l/min	1 - 10 bar	3 W = / 5 VA ~	0,72 kg

MA 22/MA 22 L

2.9.2
page 151



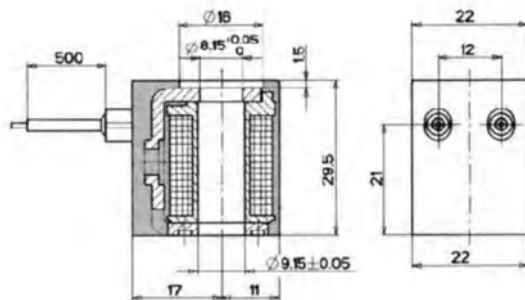
MA 22



22 mm wide coils for solenoid valves 22 mm and 30 mm wide (MH-Type).

Housing: heat resistant bobbin moulded with 30 % glass filled thermoplastic polyester material.

Available in different voltages, please refer to the table below



MA 22 L

MA 22
with interface industry-form, connectors are displayed on page 2.9.4. Equipped with appropriate connector coil offers IP 65.

MA 22 L
(flying leads version) have a standard cable length of 500 mm, others are available on request. The coils are not grounded, please take national safety regulations into consideration!

Type	Voltage	Ampere	Power cons.	Connection	Available
MA 22 12DC	12 V=	250 mA	3 W	Industryform Type B (DIN 436 50)	from stock
MA 22 24DC	24 V=	125 mA	3 W	Industryform Type B (DIN 436 50)	from stock
MA 22 L 24DC	24 V=	125 mA	3 W	Flying leads	from stock
MA 22 48DC	48 V=	62 mA	3 W	Industryform Type B (DIN 436 50)	from stock
MA 22 24AC	24 V~	200 mA	5 VA	Industryform Type B (DIN 436 50)	from stock
MA 22 110AC	110 V~	45 mA	5 VA	Industryform Type B (DIN 436 50)	from stock
MA 22 L5 110AC	110 V~	45 mA	5 VA	Flying leads	on request
MA 22 230AC	230 V~	22 mA	5 VA	Industryform Type B (DIN 436 50)	from stock
MA 22 L5 230AC	230 V~	22 mA	5 VA	Flying leads	from stock

MA 22 EEx M II T4/MA 30 EEx i.A. IIC T6

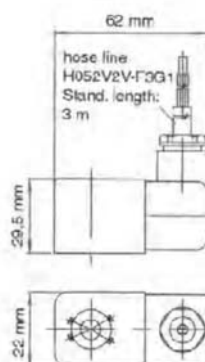
2.9.3
page 152



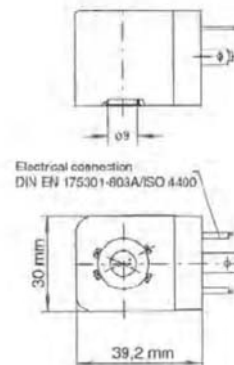
Atex approved solenoid valves for explosion-hazardous environment zone 1, product category 2G, ambient temperature: -10° ... + 50° C. Products for dusty environment zone 21, category 2D or zone 2, category 3D are available on request.

Standard cable length for MA 22 EEx M II T4:
3 m, others on request.

Electrical connection for MA 30 EEx i.A. IIC T6:
DIN EN 175301-803-A / ISO4400, certified connector offered on page 2.9.4.



MA 22 EEx M II T4



MA 30 EEx i.A. IIC T6

Please notice: Maximum operating pressure for valves equipped with EEx i.A. solenoid is 8 bar!
Admissible peak value of barrier: 28 VDC, 115 mA, 1,6 Watt.

Delivery includes valve with appropriately assembled operator system, coil, manual and declaration of conformity (066/04).

The following valves are available as systems for explosion-hazardous environment:

Types		page				
MH 311 012	MH 311 015	2.5.1.1.1				
MH 312	MH 315	2.5.1.2.2				
MH 310 501	MOH 310 501	MH 310 701	MOH 310 701	MH 310 801	MOH 310 801	2.5.1.1.5
MH 310 101	MOH 310 101	MH 310 121	MOH 310 121			2.5.1.1.6
MH 320 501	MH 320 701	MH 320 801				2.5.1.1.8
MH 320 101	MH 320 121					2.5.1.1.9
MH 510 501	MH 510 701	MH 510 801				2.5.2.1.4
MH 510 101	MH 510 121					2.5.2.1.5
MH 520 501	MH 520 701	MH 520 801				2.5.2.1.10
MH 520 101	MH 520 121					2.5.2.1.11
MH 53_501	MH 53_701	MH 53_801				2.5.3.1.3
MH 53_101	MH 53_121					2.5.3.1.4
MNH 310 701	MNH 310 711	MNH 310 121				2.8.1.1.1
MNH 510 701	MNH 510 711	MNH 510 121				2.8.1.2.1
MNH 520 701	MNH 520 121					2.8.1.2.3
MNH 531 701	MNH 531 121					2.8.1.3

Type	Operating press.	Power consumption	Temp. class	ignition prot.
MA 22 EEx M II T4 24=	max. 10 bar	5,0 Watt	T 4	encapsulation
MA 22 EEx M II T4 230~	max. 10 bar	5,1 VA	T 4	encapsulation
MA 30 EEx i.A. IIC T6 24=	max. 8 bar	min. 0,8 W; 37 mA	T 6	intrinsic safety