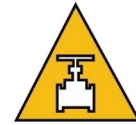




## LXS-15F~50F

NG5

**LIQUID SEALED  
VANE WHEEL  
WATER METER**



**CHRYSSAFIDIS**

### Application

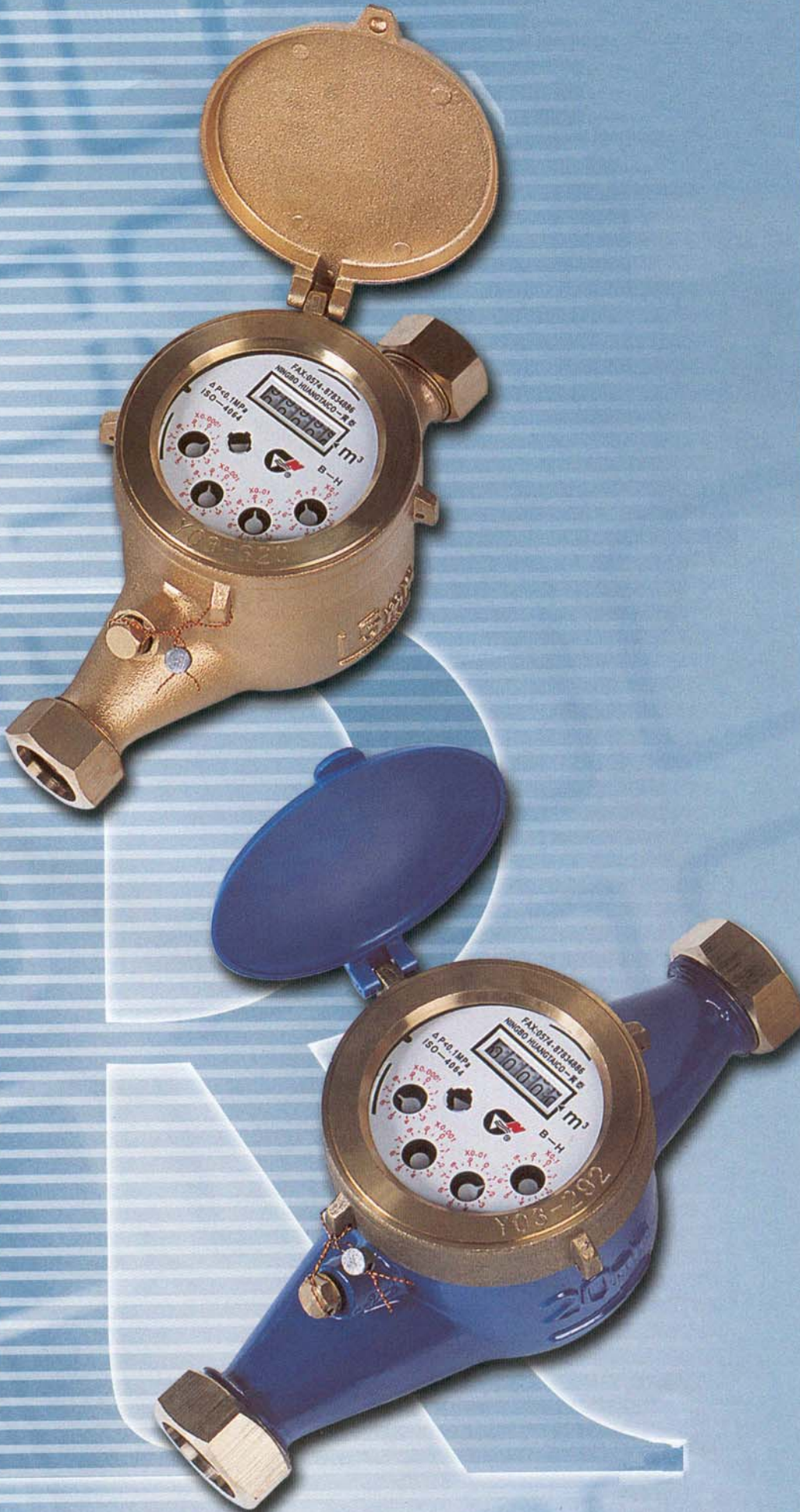
Measuring the volume of cold potable water passing through the pipeline .

### Features

Liquid sealed register, small starting flow rate for wet type, long term clear reading for dry type etc particularly suited in lower quality water.

### Note:

1. Technical data conform to International Standard ISO4064
2. Available in hot water meter range 15mm from 32mm on request.



## LIQUID SEALED VANE WHEEL WATER METER



### Working Condition

Water temperature:

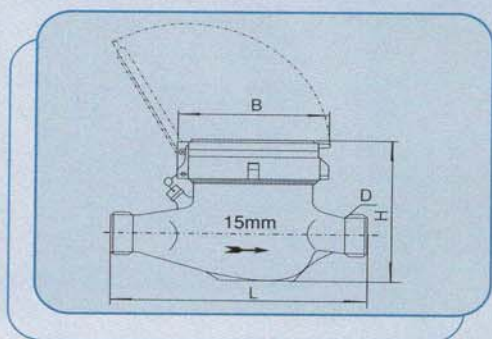
≤40°C for cold potable water meter

≤90°C for hot water meter

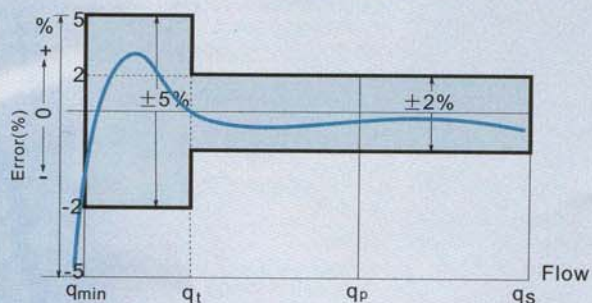
Water pressure: ≤1Mpa

### Maximum Permissible Error

- In the lower zone from  $Q_{min}$  inclusive up to but excluding  $Q_t$  is  $\pm 5\%$
- In the upper zone from  $Q_t$  inclusive up to and including  $Q_s$  is cold potable water meter  $\pm 2\%$   
(Hot water meter  $\pm 3\%$ )



Flow Error Curve



### Main Technical Data

Type	Size mm	Class	$Q_s$ Max. Flow	$Q_p$ Nominal Flow	$Q_t$ Transitional Flow	$Q_{min}$ Min Flow	Min. Reading	Max. Reading
LXS-15F	15	A	3	1.5	0.15	60	0.0001	99999
		B			0.12	30		
		C			0.0225	15		
LXS-20F	20	A	5	2.5	0.25	100	0.0001	99999
		B			0.20	50		
		C			0.0375	25		
LXS-25F	25	A	7	3.5	0.35	140	0.0001	99999
		B			0.28	70		
		C			0.0525	35		
LXS-32F	32	A	12	6	0.60	240	0.0001	99999
		B			0.48	120		
		C			0.09	60		
LXS-40F	40	A	20	10	1.00	400	0.001	999999
		B			0.80	200		
		C			0.24	100		
LXS-50F	50	A	30	15	1.50	600	0.001	999999
		B			1.20	300		

### Dimensions and Weight

Type	size	Length	Width	Height	Connecting Thread	Weight
		L	B	H		
LXS-15F	15	145/165	94	115.5/110.5	G 3/4B	1.2/1.3
LXS-20F	20	190/195	94	117/112	G 1B	1.3/1.4
LXS-25F	25	260/225	118	126/122	G1 1/4B	1.65/1.57
LXS-32F	32	260/230	118	126/122	G1 1/2B	2.23/2
LXS-40F	40	300/245	122	148.5	G 2B	4/4.4
LXS-50F	50	300/280	125	184	G2 1/2B	4.3
		300	165	172		

Pressure Loss Curve

