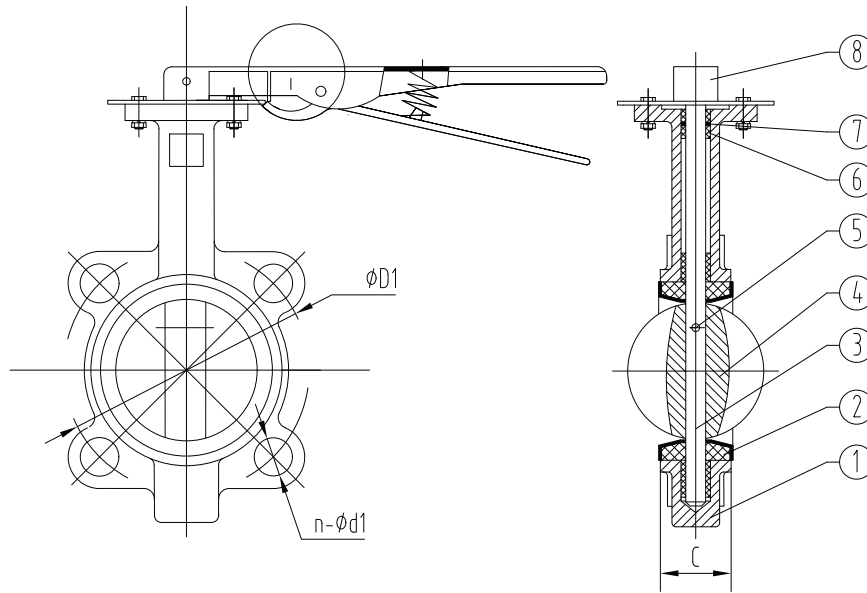


ΔΙΚΛΕΙΔΕΣ ΠΕΤΑΛΟΥΔΑΣ

Nominal Pressure		1.6	Mpa
Testing Pressure	Shell	2.4	
	Sealing	1.76	



1. STANDARD MATERIALS OF MAIN PARTS

ITEM	PART NAME	MATERIAL
1	Body	Cast Iron
2	Seat	NBR
3	Shaft	SS416
4	Disc	CF8
5	Pin	SS304
6	Bushing	POLYMERS
7	O Ring	NBR
8	Handle	

2. DIMENSIONS: (mm)

SIZE		C	PN16	
in	DN		D1	n-d1
2	50	42	125	4-18
2.5	65	44.7	145	4-18
3	80	45.2	160	4(8)-18
4	100	52.1	180	4(8)-18
5	125	54.4	210	4(8)-18
6	150	55.8	240	4(8)-23
8	200	60.6	295	4(12)-23



Wafer Type Butterfly Valve

DRAWING

X.L

CHECK

QL.S