

## Soft Seated Butterfly Valve - Wafer type



**BV12008W**  
(DN40-200)  
Hand lever operated

**BV12008W**  
(DN250-600)  
Gear operated

**BV12008W**  
(DN700 -1200)  
Gear operated

Wafer type butterfly valve for installation between flanges EN 1092, PN 10/16, ASME class 150. One-piece body, self-centring, two-piece disc and stem connection, bubble-tight up to 10 bar, vacuum-tight.

### Face-to-face dimension

DIN EN 558 line 20 API 609 table 1

**Mounting flange** DIN EN ISO 5211

**Test** DIN EN 12266 P10 P11 P12 leakage rate A

**Certifications** CE-Marking, TA Luft, FDA approval, food certification 1935/2004, ATEX

### Industries and applications

Water / Sewage

Engineering

Food industry

Colouring, Varnish, Dyeing factories Hand lever



ATEX 2019/34/UE



PED 2019/68/UE



HELIUM LEAKAGE TEST  
acc. VDI 2440



TA-LUFT  
VDI 2440



FIRESAFE  
acc. API 607 5th

# Shut-off and control butterfly valves

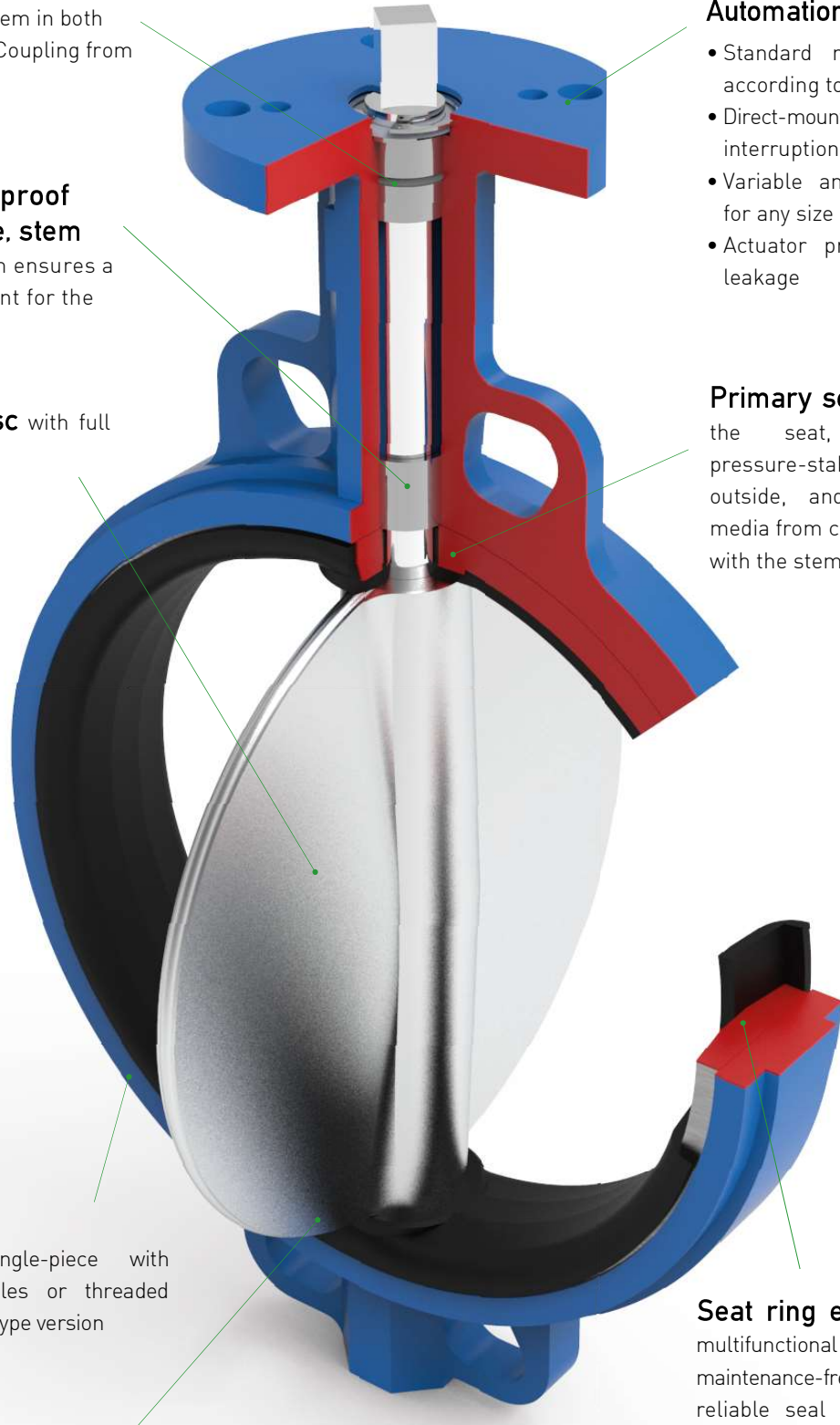
### O-ring stem seal

Seals the stem in both directions. Coupling from outside

### Blow-out proof two-piece, stem

This system ensures a stable mount for the valve disc

### Valve disc with full high finish



### Automation

- Standard mounting flange according to DIN 3337
- Direct-mount actuation without interruption to the valve stem
- Variable and exchangeable for any size of actuator
- Actuator protected against leakage

**Primary seal** integrated in the seat, ensures a pressure-stable seal to the outside, and prevents line media from coming in contact with the stem or body

**Body** single-piece with locating holes or threaded cam as lug type version

**Seat seal** with the special profile of the valve disc sealing surface, absolute seat seal is achieved to 12 bar

### Seat ring exchangeable

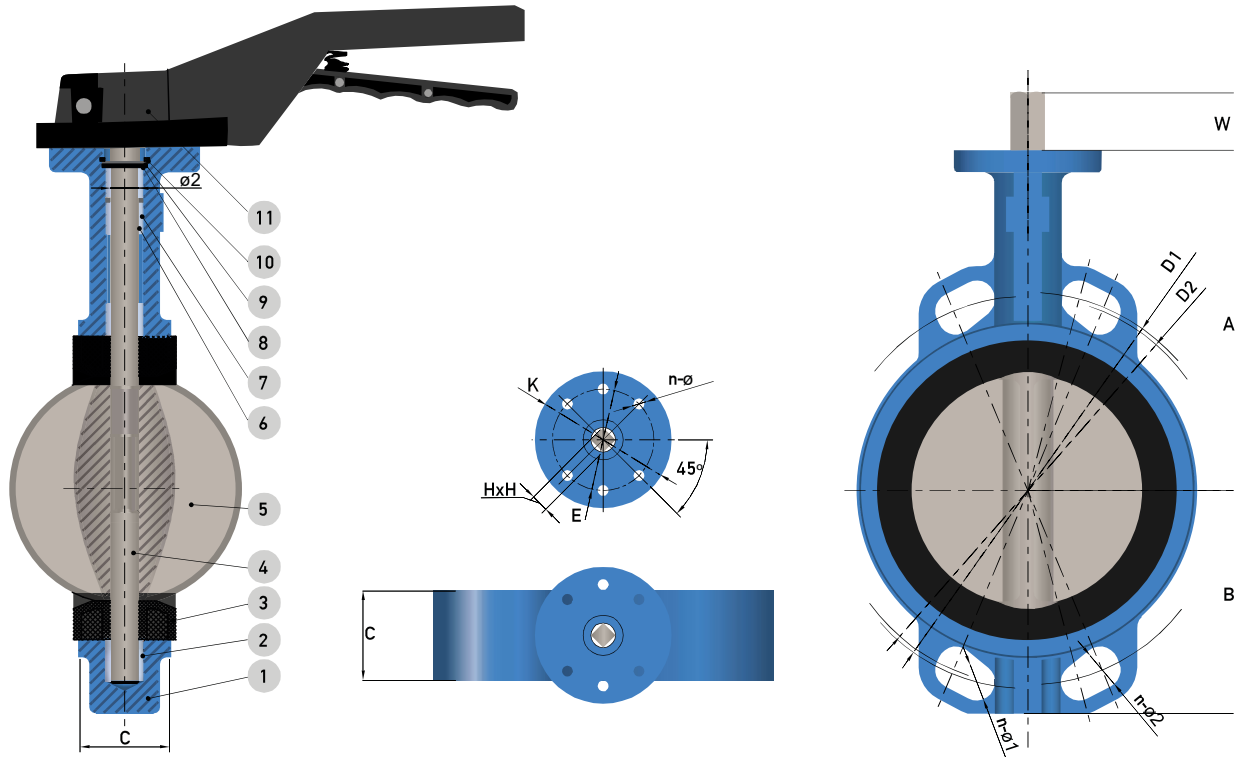
multifunctional sealing element, maintenance-free, long life-span, reliable seal in seat, to the flanges and on the stem coupling, secure latching in the dove tail, embedded with no protruding edges to flange surfaces in the housing

**ZERO LEAKAGE!**

# BV12008W Wafer | PN10/PN16/#150



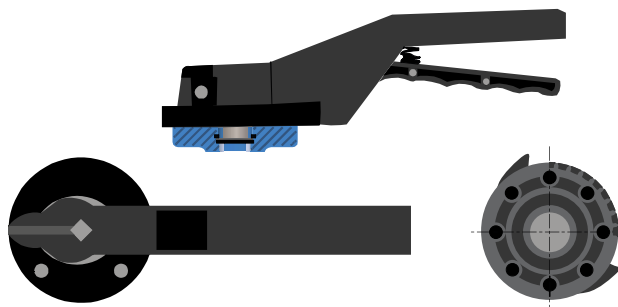
FIG. 1 DN40-200



**MAIN SPARE PARTS MATERIAL**

N°	COMPONENT	MATERIALS: DN40-200
1	Body	EN1563 EN-GJS-400-15
2	Long bushing	FRP
3	Liner (seat)	WRAS EPDM
4	Shaft	SS410
5	Disc	CF8M
6	Up bushing	FRP
7	O-ring	NBR / EPDM / VITON
8	Half ring	Stainless Steel
9	Gasket	Stainless Steel
10	Snap Spring	SK7
11	Hand lever	Epoxy coated aluminum

**STANDAR LEVER OPERATED**



**OPERATION OPTIONS**

Gearbox operated, Double acting actuator, Spring return actuator

**VALVE DIMENSIONS**

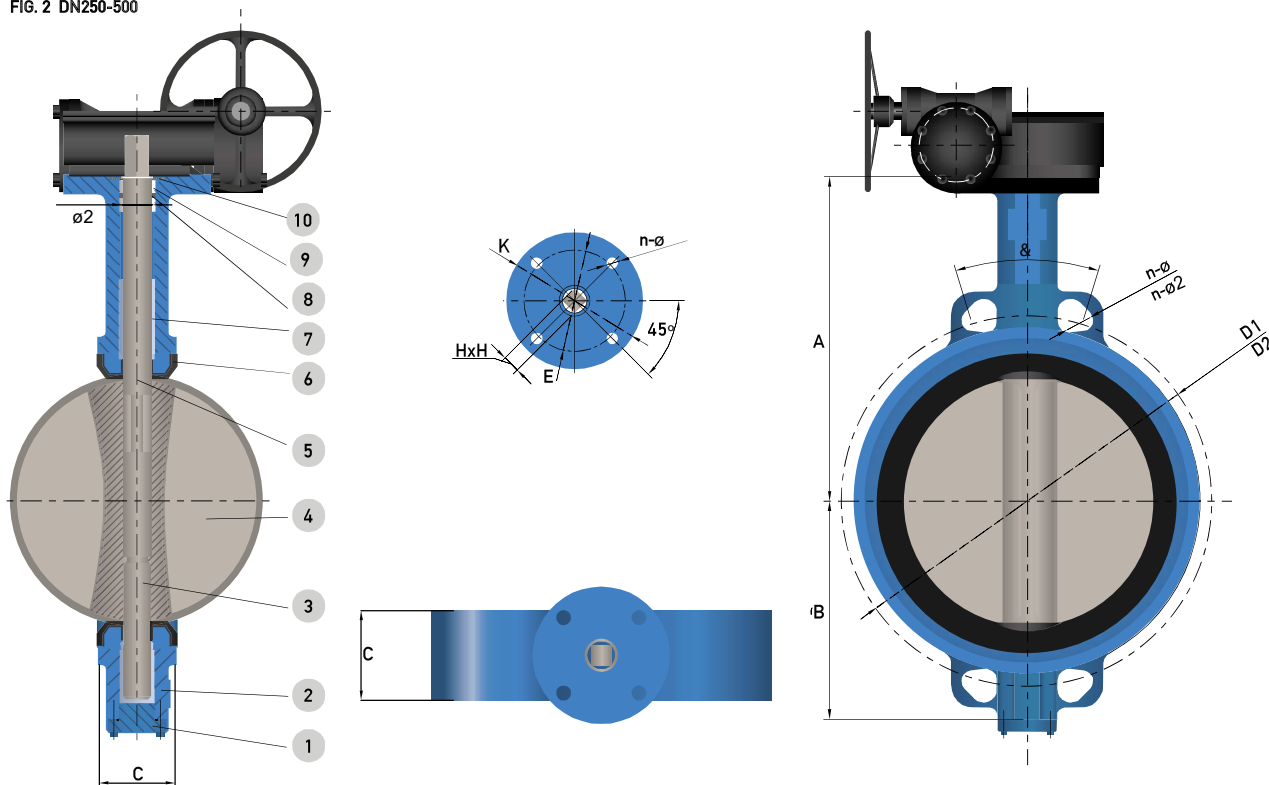
Valves dimensions											PN10	PN16	ANSI150				
DN mm	In	A	B	C	Ø2	ISO 5211	K	E	n-Ø	HxH	W	D1	n-Ø1	D1	n-Ø1	D2	n-Ø2
												40	1 1/2"	120	65	33	12.6
50	2"	140	80	43	12.6	F07	90	70	4-10	11x11	30	125	4-19	125	4-19	120.7	4-20
65	2 1/2"	150	89	46	12.6	F07	90	70	4-10	11x11	30	145	4-19	145	4-19	139.7	4-20
80	3"	158	95	46	12.6	F07	90	70	4-10	11x11	30	160	8-19	160	8-19	152.4	4-20
100	4"	176	114	52	15.77	F07	90	70	4-10	11x11	30	180	8-19	180	8-19	190.5	8-20
125	5"	190	127	56	18.92	F07	90	70	4-10	14x14	34	210	8-19	210	8-19	215.9	8-23
150	6"	212	139	56	18.92	F07	90	70	4-10	14x14	34	240	8-23	240	8-23	241.3	8-23
200	8"	236	174	60	22.10	F10	125	102	4-12	17x17	44	295	8/12-23	295	8/12-23	298.5	8-23

all dimensions in mm.

# BV12008W Wafer | PN10/PN16/#150



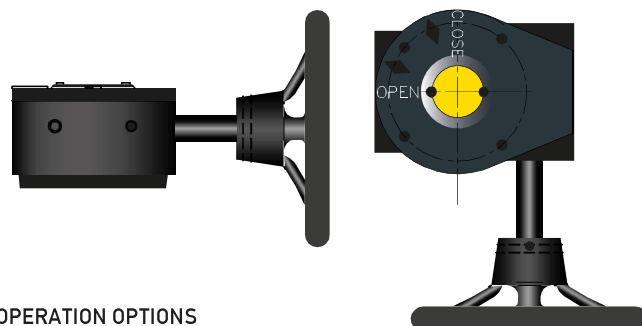
FIG. 2 DN250-500



**MAIN SPARE PARTS MATERIAL**

N°	COMPONENT	MATERIALS: DN250-500
1	End cover	EN1563 EN-GJS-400-15
2	Body	EN1563 EN-GJS-400-15
3	Down shaft	SS410
4	Disc	CF8M
5	Up shaft	SS410
6	Liner (seat)	WRAS EPDM
7	Long Bushing	Brass
8	O-ring	NBR / EPDM / VITON
9	Short bushing	Brass
10	Half ring	Stainless Steel

**STANDAR GEAR OPERATED**



**OPERATION OPTIONS**

Double acting actuator, Spring return actuator

**VALVE DIMENSIONS**

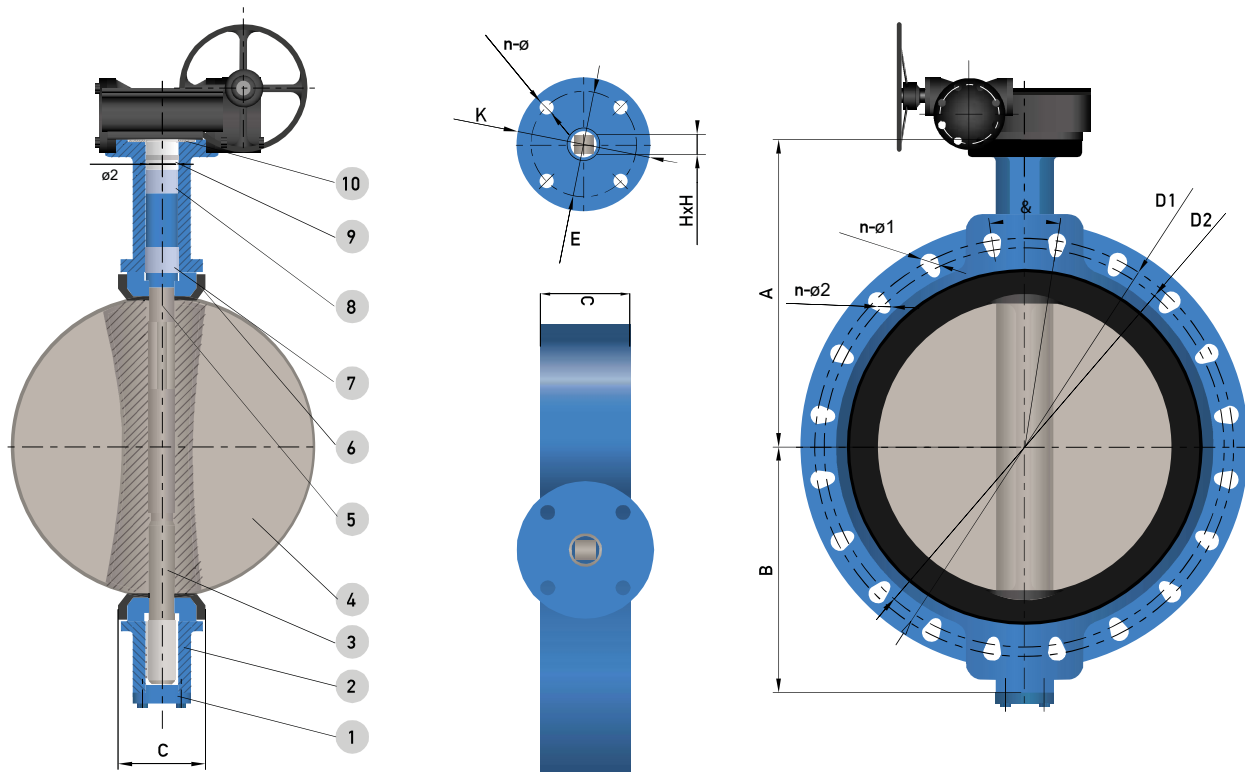
Valves dimensions											PN10	PN16	ANSI150			
DN		A	B	C	ø2	ISO 5211	K	E	n-ø	HxH	D1	n-ø1	D1	n-ø1	D2	n-ø2
mm	In															
250	10"	265	203	68	28.45	F10	125	102	4-12	22x22	350	12-23	355	12-28	362	12-26
300	12"	305	242	78	31.60	F10	125	102	4-12	22x22	400	12-23	410	12-28	431.8	12-26
350	14"	368	267	78	31.60	F10/F14	175	102/140	4-12/18	22x22	460	16-23	470	16-28	476.3	12-29
400	16"	400	309	102	37.95	F14/F16	210	140/165	4-18/22	27x27	515	16-28	525	16-31	539.8	16-29
450	18"	422	340	114	37.95	F14/F16	210	140/165	4-18/22	27x27	565	20-28	585	20-31	577.9	16-32
500	20"	440	362	127	45.72	F14/F16	210	140/165	4-18/22	36x36	620	20-28	650	20-34	635	20-32

all dimensions in mm.

# BV12008W Wafer | PN10/PN16/#150



FIG. 3 DN600

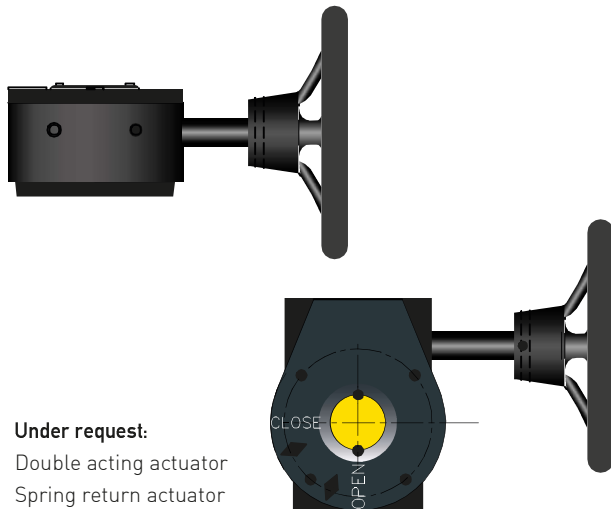


**MAIN SPARE PARTS MATERIAL**

N°	COMPONENT	FIG. 1 DN600
1	End cover	EN1563 EN-GJS-400-15
2	Body	EN1563 EN-GJS-400-15
3	Down shaft	SS410
4	Disc	CF8M
5	Up shaft	SS410
6	Liner (seat)	WRAS EPDM
7	Long Bushing	Brass
8	O-ring	NBR / EPDM / VITON
9	Short bushing	Brass
10	Half ring	Stainless Steel

**OPERATION OPTIONS**

Standar gear operated



Under request:  
Double acting actuator  
Spring return actuator

**VALVE DIMENSIONS**

Valves dimensions											PN10	PN16	ANSI150			
DN mm	In	A	B	C	ISO 5211	K	E	n-0	HxH	&	D1	n-01	D1	n-01	D2	n-02

FIG. 3 DN600

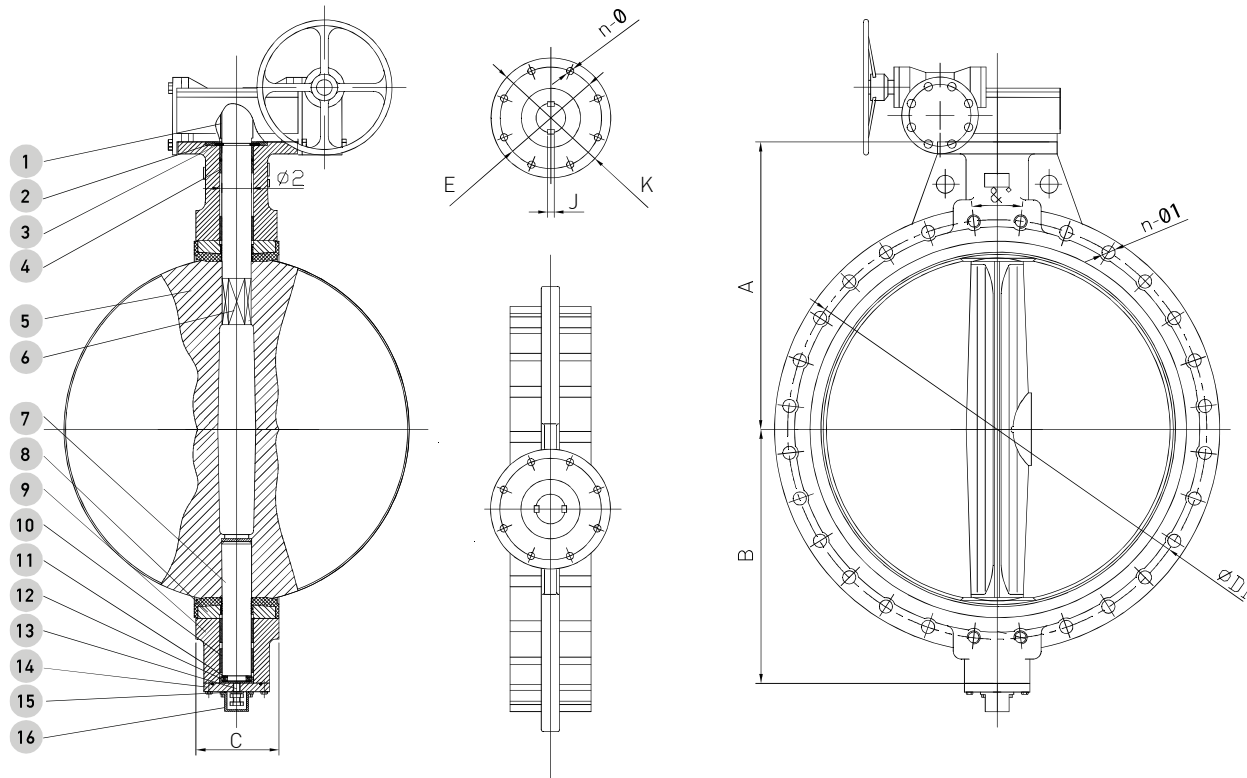
600	24"	565	452	154	F16	210	165	4-22	36x36	18	725	20-31	770	20-37	749.3	20-35
-----	-----	-----	-----	-----	-----	-----	-----	------	-------	----	-----	-------	-----	-------	-------	-------

all dimensions in mm.

# BV12008W Wafer | PN10/PN16/#150



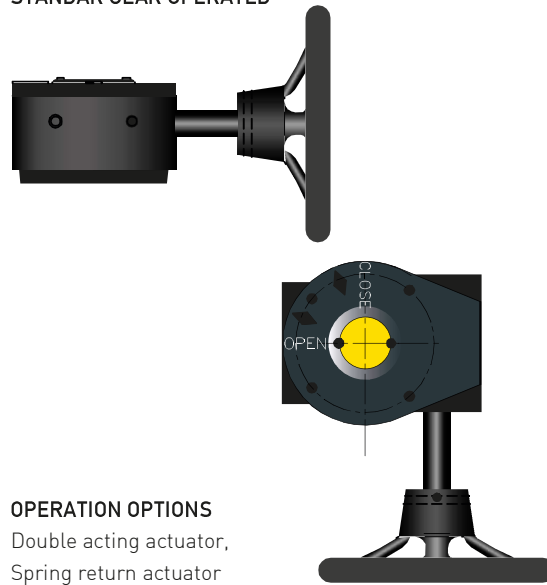
FIG. 4 DN700-1200



**MAIN SPARE PARTS MATERIAL**

Nº	COMPONENT	FIG. 1 DN600
1	Protect Cap	Stainless Steel
2	"O" Ring	NBR
3	End Cover	EN1563 EN-GJS-400-15 ASME: A536 65-45-12
4	Adjust Bolt	A2
5	Adjust House	Stainless Steel
6	Single Side Thrust Bearing	Assembly
7	Bushing	Brass
8	Body	EN1563 EN-GJS-400-15 ASME: A536 65-45-12
9	Liner (Seat)	WRAS EPDM
10	Down Shaft	SS410
11	Up Shaft	SS410
12	Disc	CF8M
13	Short Bushing	Brass
14	Half Ring	Stainless Steel
15	Gasket	Stainless Steel
16	Key	Carbon steel

**STANDAR GEAR OPERATED**



**OPERATION OPTIONS**

Double acting actuator,  
Spring return actuator

**VALVE DIMENSIONS**

		Valves dimensions										PN10			PN16			ANSI150		
mm	In	A	B	C	Ø2	ISO 5211	K	E	n-0	J	ØD1	n-01	&	ØD1	n-01	&	ØD1	n-01	&	
																				DN
700	28"	624	510	165	63.35	F25	300	254	8-18	18	840	20-31	15	840	20-37	15	863.6	24-36	12.85	
750	30"	663	546	165	63.35	F25	300	254	8-18	18	-	-	-	-	-	-	914.4	24-36	12.85	
800	32"	672	580	190	63.35	F25	300	254	8-18	18	950	20-34	15	950	20-41	15	977.9	24-42	12.85	
900	36"	720	633	200/203	75	F25	300	254	8-18	20	1050	24-34	12.85	1050	24-41	12.85	1085.8	28-42	11.25	
1000	40"	805	710	216	85	F25	300	254	8-18	33	1160	24-37	12.85	1170	24-44	12.85	1200.1	32-42	10	
1200	48"	942	845	254/276	105	F30	350	298	8-22	28	1380	28-41	11.25	1390	28-50	11.25	1422.4	40-42	8.18	

all dimensions in mm.