

ΠΙΣΤΑΛΟΥΔΕΣ ΑΥΛΑΚΩΤΕΣ

Grooved Butterfly Valves

Design

- Rating: PN10, PN16
- Design: UNE EN-539
- Grooving dimensions: ANSI/ AWWA C 606 - 97
- Face to face: MSS SP 67
- Piping assembling: ANSI B3610, ISO 4200, DIN 2448, BS 1387, BS 3600
- Top connecting: ISO 5211
- Testing: ISO 5208
- DN: 50mm (2") – 300mm (12")

Materials

- Body: ductile iron epoxy/ rilsan coated internally and externally
- Disc: CF-8M/ GJS500.7 vulcanized
- Sealing: EPDM/ NBR
- Shaft: AISI 420

Benefits

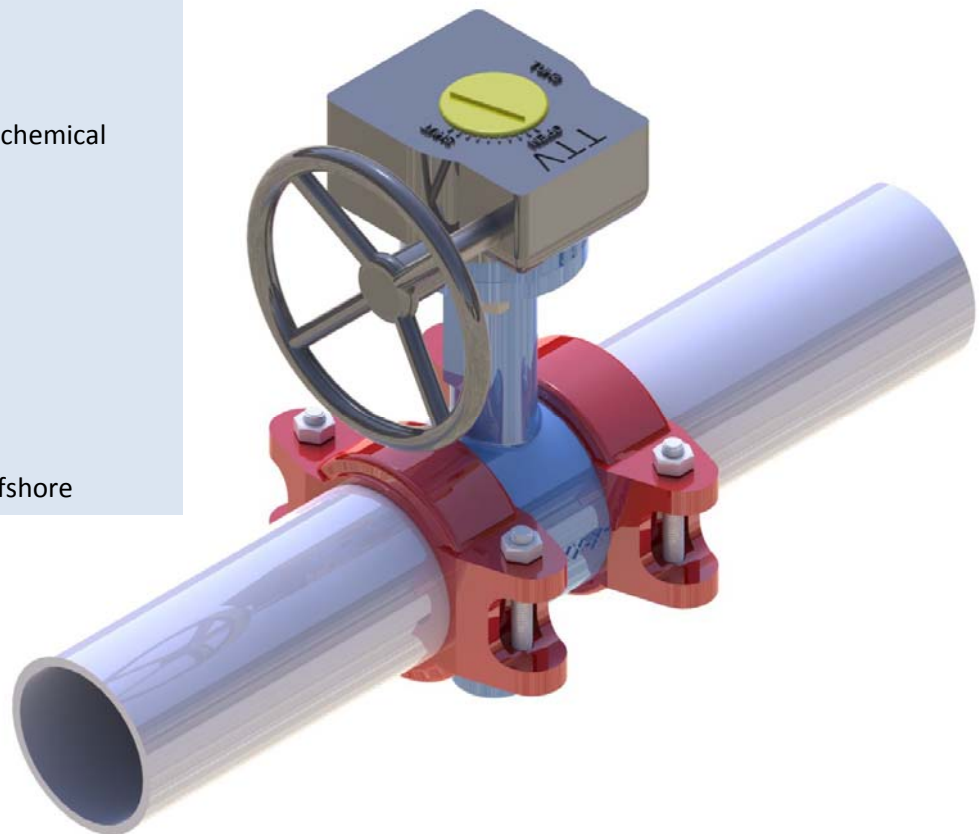
- The grooved coupling system provides secure, simple and fast connection
- Neither welding nor adapter flange are required
- Grooved butterfly valve is suitable for water and particularly for fire protection systems
- The EPDM vulcanized disc provides perfect sealing and low operating torque
- Is the lightest pipe to valve connection solution
- Fast and easy mounting or dismounting
- Possible adaptation on every type of pipe
- A perfect alignment of the valve and pipe is not required in the assembly; some flexibility is allowed
- Low pressure drop thanks to the aerodynamic disc



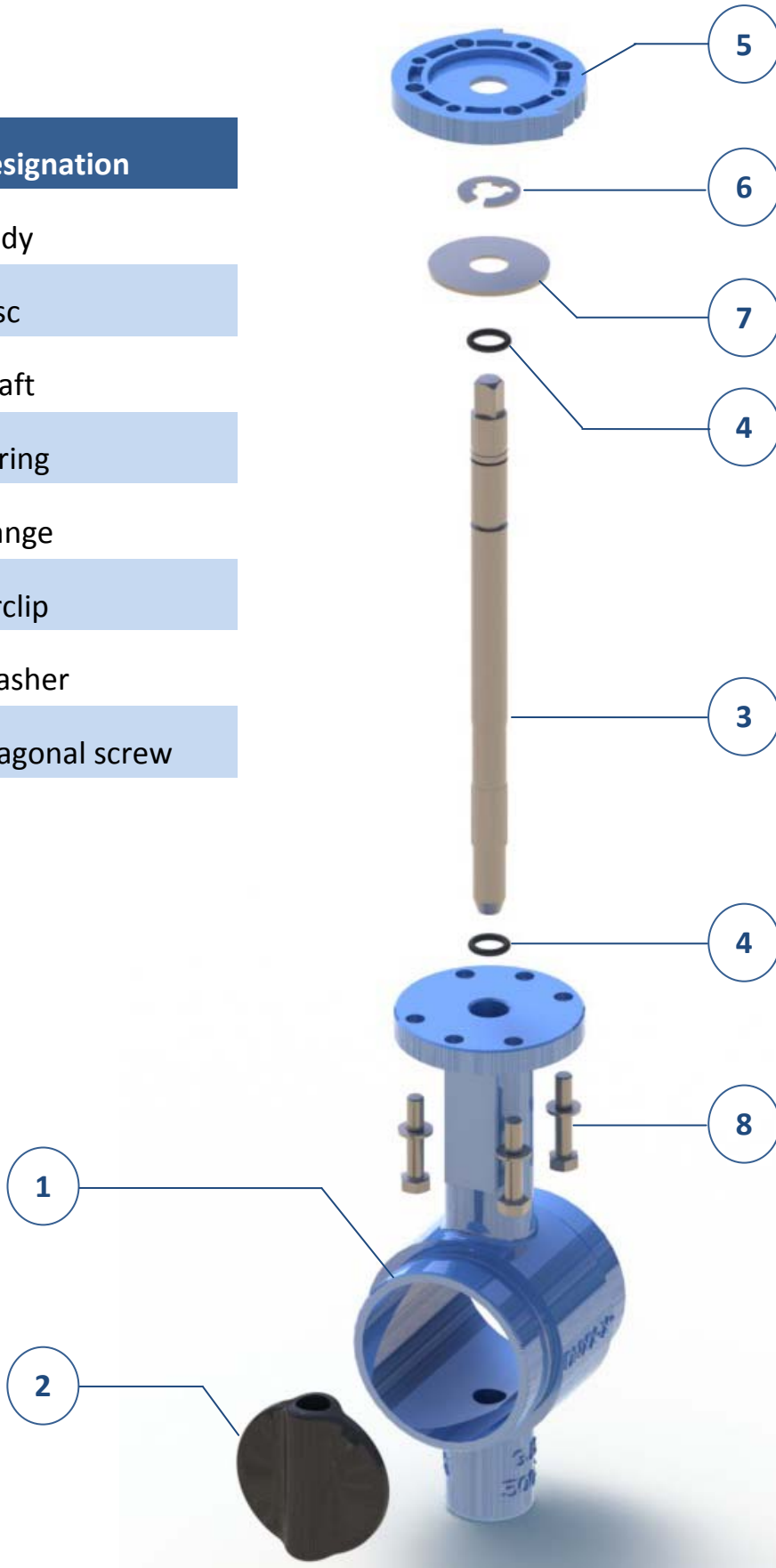
Applications

- Fire protection systems
- Water: irrigation, potable water, sea water, water supply, pumping station, industrial water, waste water
- Heating, air conditioning
- Compressed air
- Cooling tower, equipment cooling, waste treatment , general plant services, dewatering, turbine cooling, drain lines, fuel oil, chemical cleaning

- Construction
- Irrigation
- Food industry
- Paper mills
- Steel industry
- Chemical and petrochemical
- Mining
- Process industry
- Sugar mills
- Cement industry
- Power generation
- Shipbuilding and offshore

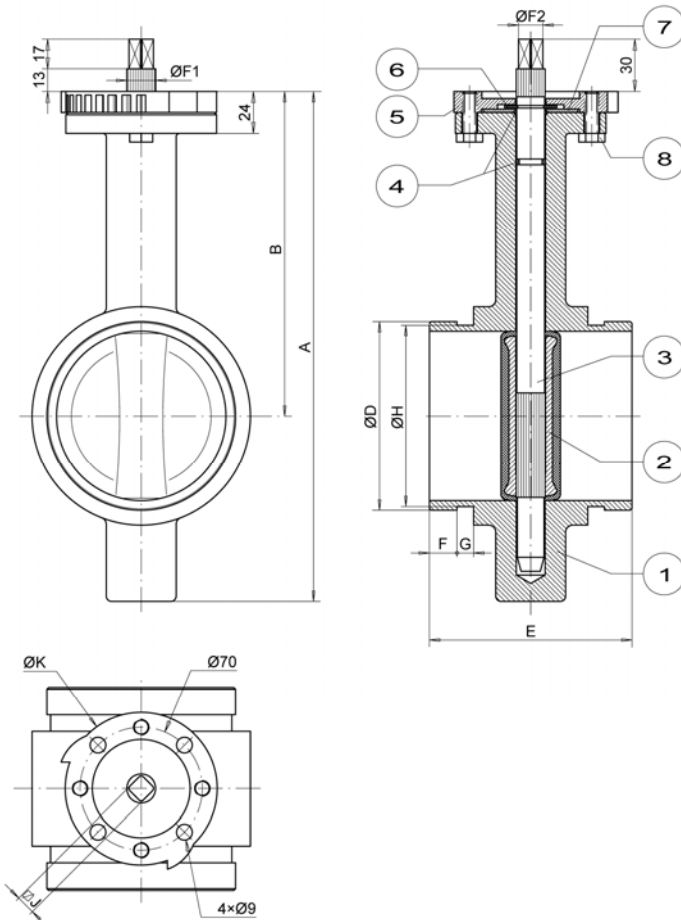


Item	Designation
1	Body
2	Disc
3	Shaft
4	O-ring
5	Flange
6	Circlip
7	Washer
8	Exagonal screw



Valve dimensions & materials

DN:50-200 mm



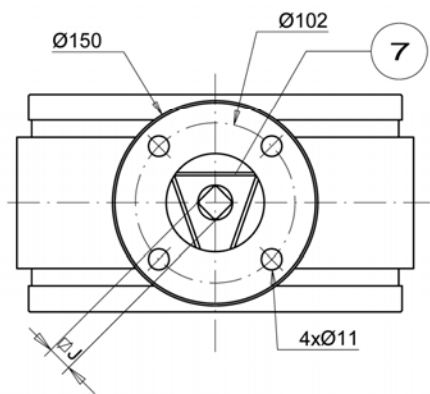
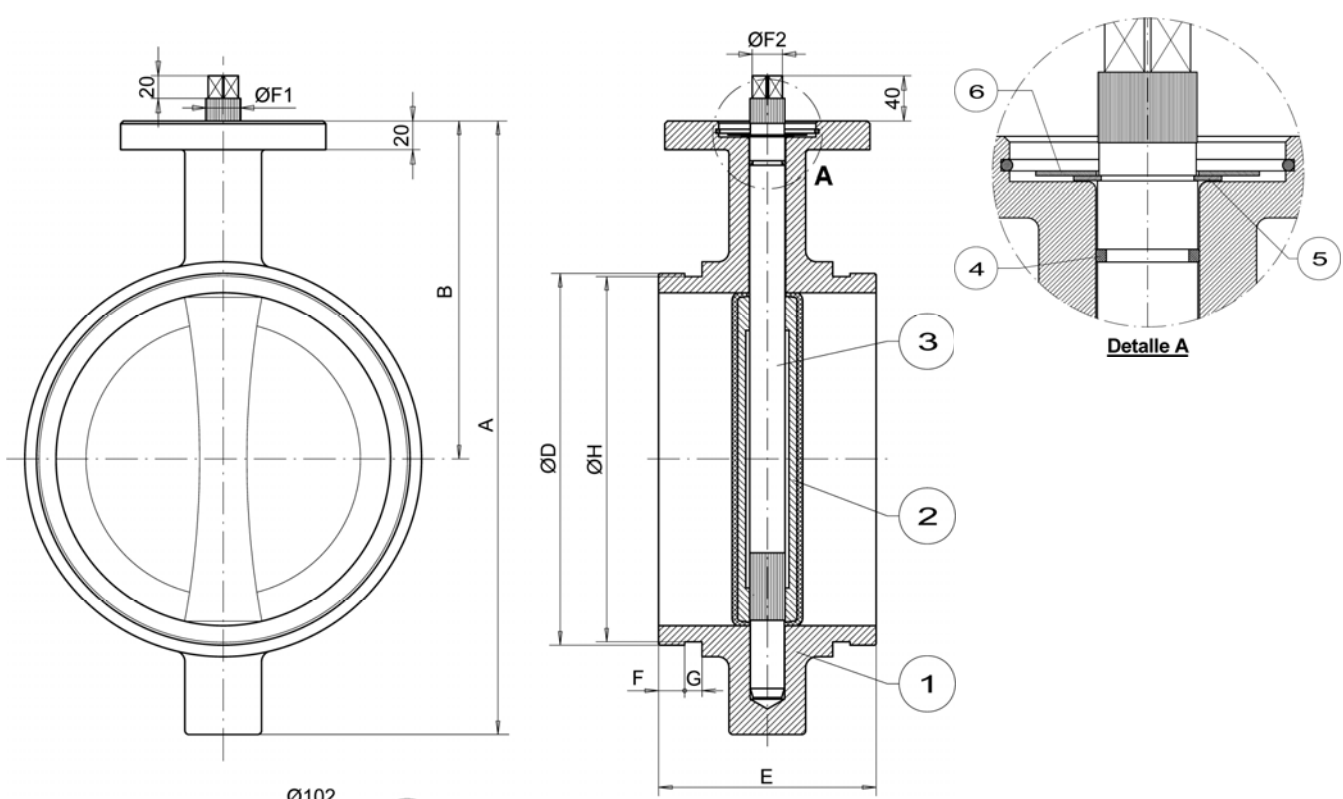
Materials

Item	Designation	Nº	Material
1	Body	1	GJS500.7
2	Disc	1	CF-M8/GJS500.7 +EPDM vulcanized
3	Shaft	1	AISI 420
4	O-ring	2	EPDM
5	Flange	1	Aluminum
6	Circlip	1	Steel- DIN 6799
7	Washer	1	Steel
8	Hexagonal screw	2	5.6- DIN 933

VALVE DIMENSIONS

DN		A	B	D	H	E	F	G	J	K	F1	F2
mm	"											
50	2"	217	156	60.3	57.15	81	15.8	7.95	8	88	10.5	9.5
65	2 ½"	243	161	73	69.08	97	15.8	7.95	9	88	14.5	12
65	2 ½"	243	161	76.1	72.26	97	15.8	7.95	9	88	14.5	12
80	3"	262	169	88.9	84.94	97	15.8	7.95	11	88	16.5	14
100	4"	292	187	108	103.78	116	15.8	9.52	11	88	16.5	14
100	4"	292	187	114.3	110.08	116	15.8	9.52	11	88	16.5	14
125	5"	328	206	139.7	135.48	148	15.8	9.52	14	105	18.5	17
125	5"	328	206	141.3	137.03	148	15.8	9.52	14	105	18.5	17
150	6"	352	215	165.1	160.78	148	15.8	9.52	14	105	18.5	17
150	6"	352	215	168.3	163.96	148	15.8	9.52	14	105	18.5	17
200	8"	420	255	219.1	214.4	133	19.05	11.13	17	105	22.5	21

Valve dimensions & materials DN:250-300 mm



Materials			
Item	Designation	Nº	Material
1	Body	1	GJS500.7
2	Disc	1	CF-M8/GJS500.7 +EPDM vulcanized
3	Shaft	1	AISI 420
4	O-ring	2	EPDM
5	Circlip	1	Steel- DIN 471
6	Washer	1	Steel
7	Wire	1	Steel

VALVE DIMENSIONS											
DN		A	B	D	H	E	F	G	J	F1	F2
mm	"										
250	10"	450	248	273	268.28	159	19.05	12.7	19	25.5	23
300	12"	510	280	323.9	318.29	165	19.05	12.7	22	30.5	26.5

Pressure drop



DN	NPS	Flow coefficient valve in fully open position Cv
50	2"	123
65	2 ½"	188
80	3"	279
100	4"	603
125	5"	957
150	6"	1504
200	8"	3652
250	10"	5738
300	12"	8653

Operating torque



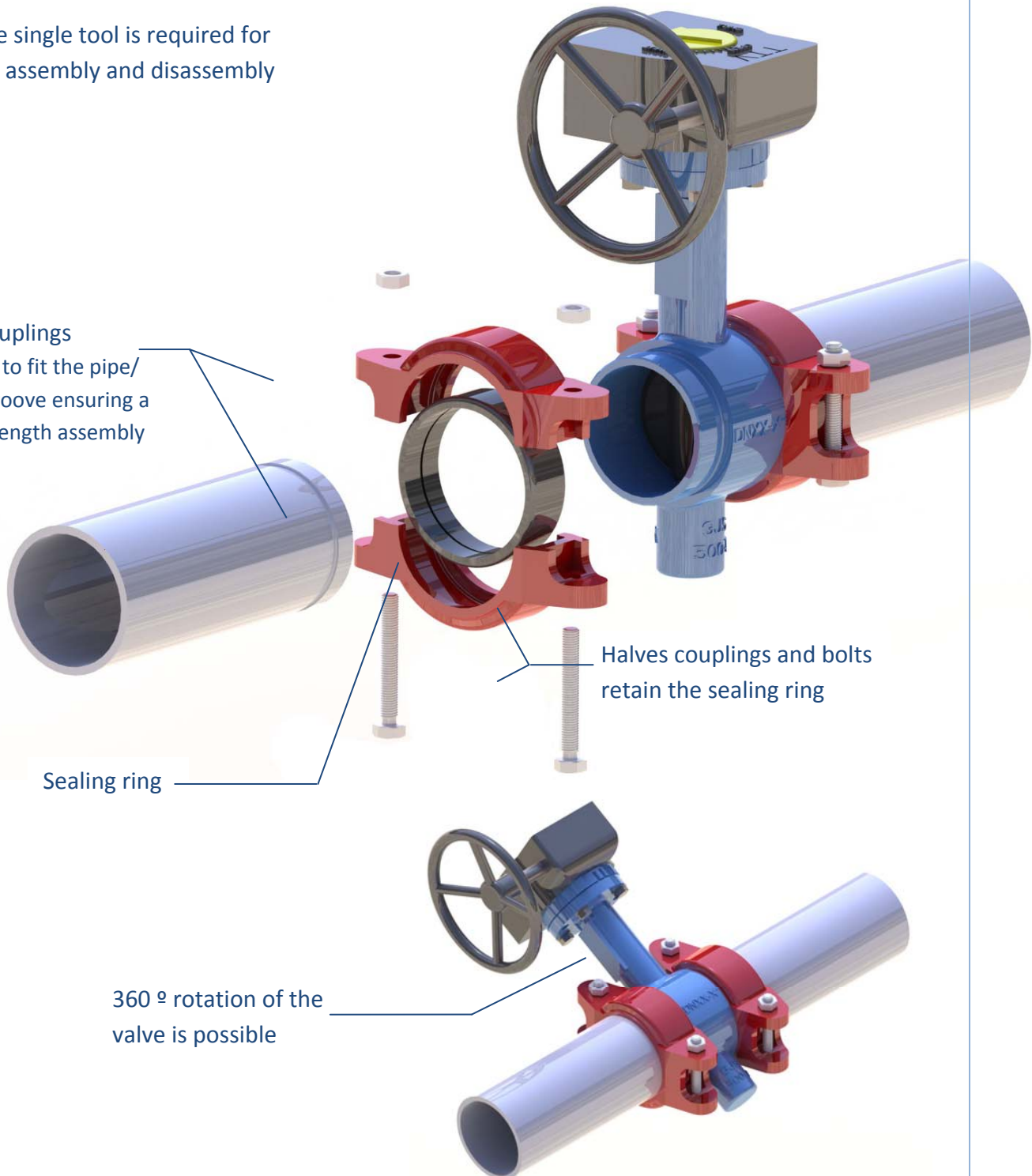
DN	NPS	Operating torque (M/Kg)
50	2"	1.1
65	2 ½"	1.9
80	3"	2.8
100	4"	4.4
125	5"	7.8
150	6	12.3
200	8	18.7
250	10	32.4
300	12	41.8

Grooved coupling system

Secure, simple and fast connection

One single tool is required for the assembly and disassembly

Half couplings
Shaped to fit the pipe/
valve groove ensuring a
high strength assembly



Halves couplings and bolts
retain the sealing ring

Sealing ring

360 ° rotation of the
valve is possible

Valve testing

100 % of TTV valves are tested according to **ISO 5208** standards

Testing pressures

Body: 1.5 x PN, or the indicated in the work page.

Seal: 1.1 x PN, or the indicated in the work page

Test temperature: ambient

Minimum test duration

DN	NPS	Body	Seal
50	2"	30 seconds	30 seconds
65 - 150	2 ½" - 6"	60 seconds	60 seconds
200 - 300	8" - 12"	120 seconds	120 seconds

Maximum allowable leakage

The test is correct if there is not any leakage or pressure loss.