

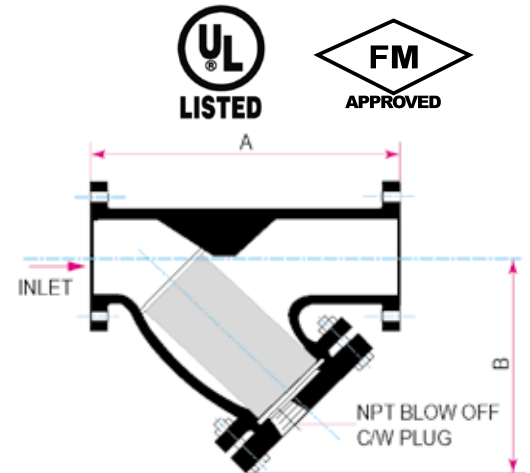
## Fireriser® "Y" Strainer

## Flanged End-175PSI

Fig.No.:YS-F-1161

## Pressure and Temperature:

|                                |                          |
|--------------------------------|--------------------------|
| Nominal Pressure               | 175PSI /12.5Bars         |
| Hydraulic Shell Test Pressure  | 350PSI                   |
| Pressure / Temperature Ratings | 175PSI from-10°C ~ 120°C |
| Suitable Media                 | Water, Oil, Gas          |



## Material Specification:

| Component | Material                        |
|-----------|---------------------------------|
| Body      | Cast Iron ASTM A126 Class B     |
| Cover     | Cast Iron ASTM A126 Class B     |
| Screen    | Stainless Steel AISI 304        |
| Gasket    | PTFE/Graphite                   |
| Plug      | Ductile Iron ASTM A536 65-45-12 |

## Standard Screens:

| Nominal Size (mm) | Hole Dia. (mm) | Free Flow Area (%) |
|-------------------|----------------|--------------------|
| 65                | 3.0            | 51                 |
| 80-200            | 4.3            | 54                 |
| 150-250           | 6.0            | 63                 |
| 300               | 6.3            | 70                 |

## Dimensions:

| Nominal Size/<br>Inch mm | A   |        | B   |        | Blow Off<br>BSP/NPT | Weight<br>kg |
|--------------------------|-----|--------|-----|--------|---------------------|--------------|
|                          | mm  | inch   | mm  | in     |                     |              |
| 2 1/2" 65                | 237 | 10-3/4 | 205 | 8-3/32 | 1"                  | 16.0         |
| 3" 80                    | 295 | 11-1/2 | 215 | 8-3/4  | 1"                  | 23.5         |
| 4" 100                   | 352 | 13-7/8 | 245 | 9-1/2  | 1"                  | 34.0         |
| 6" 150                   | 470 | 18-1/2 | 320 | 12-5/8 | 1-1/2"              | 70.0         |
| 8" 200                   | 543 | 21-3/8 | 415 | 16-3/8 | 1-1/2"              | 110.0        |
| 10" 250                  | 660 | 26     | 485 | 19     | 2"                  | 185.0        |
| 12" 300                  | 762 | 30     | 560 | 22     | 2"                  | 295.0        |



## Note:

- 1.Flanged to BS 4504 PN16,ANSI Class 125.
- 2.Other flange types available, specify on order.
- 3.Design and materials are subject to change without notice.