



## BOLTED BONNET VALVES

### SWING CHECK VALVES—Class 150#, 300#

Size range: 2" to 64"

Size range: 2" to 54"

Class 150# Fig NO. 247(RF/RTJ)  
247 1/2 (BW)

#### DIMENSIONS AND WEIGHTS

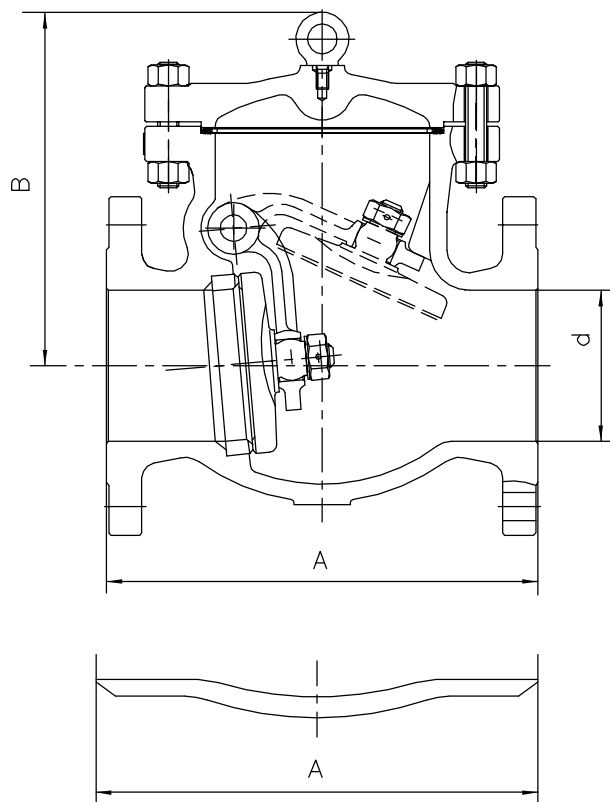
Size inch	d	A RF & BW	B	Weight(kg) RF & BW	
2"	51	203	140	17	13
3"	76	241	178	29	24
4"	102	292	196	42	36
6"	152	356	244	74	62
8"	203	495	305	108	96
10"	254	622	401	177	158
12"	305	699	361	282	238
14"	337	787	406	372	324
16"	387	864	488	570	483
18"	438	978	566	665	548
20"	489	978	625	900	782
24"	591	1295	744	1359	1150
30"	743	1524	902	2390	2014
36"	878	1956	1050	4160	3896

Class 300# Fig NO. 259(RF/RTJ)  
259 1/2 (BW)

#### DIMENSIONS AND WEIGHTS

Size inch	d	A RF & BW	B	Weight(kg) RF & BW	
2"	51	267	158	21	16
3"	76	318	203	43	35
4"	102	356	234	61	44
6"	152	445	280	131	105
8"	203	533	350	213	167
10"	254	622	406	384	272
12"	305	711	467	449	375
14"	337	838	457	680	560
16"	387	864	554	840	710
18"	432	978	597	1025	828
20"	483	1016	630	1320	1070
24"	584	1346	749	1960	1586
30"	737	1594	958	2787	2298

Other Sizes and materials: On request  
RF: Flanged BW: Butt Weld



#### STANDARDS:

Design	ANSI B16.34 & BS 1868
Test	API 598
Face to Face Dimensions	ANSI B16.10
End Flange Dimensions	ANSI B16.5 (2" ~ 24") ANSI B16.47 (30" ~ 36")
Butt-Weld Ends	ANSI B16.25

#### AVAILABLE OPTIONS:

STRUCTURE	End, Connection: Flange Raised Face, Butt Weld, RTJ...
	Seat Rings: Threaded (Renewable), Welded
*MATERIAL	Body: WCB, WC1, WC6, WC9, LCB, LCC, LC3, C5, C12, CF8, CF8M, CF3, CF3M, CF8C...
	Trims: 13%Cr, 304, 304L, 316, 316L, 321, 347, F-51, Monel...
Accessories	Hydraulic Damper, Counter Weight (Lever + Weight)

\*Please refer to page of "Build Material"