



## BOLTED BONNET VALVES

### SWING CHECK VALVES—Class 600#、900#

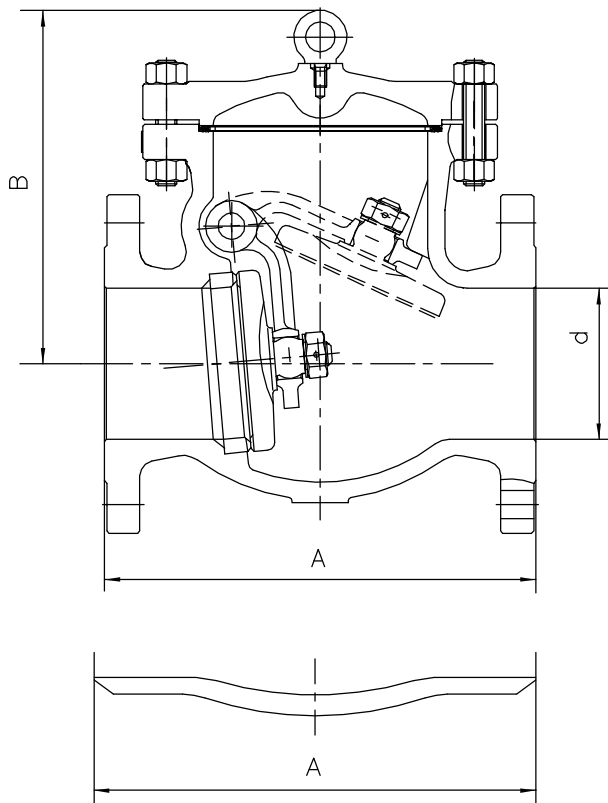
Size range: 2" to 54"

Size range: 2" to 36"



Class 600# Fig NO. 275(RF/RTJ)  
275 1/2 (BW)

#### DIMENSIONS AND WEIGHTS



Size inch	d	A		B		Weight(kg)	
		RF & BW				RF & BW	
2"	51	292		200	36	28	
3"	76	356		226	68	57	
4"	102	432		261	111	83	
6"	152	559		340	230	191	
8"	200	660		443	416	361	
10"	248	787		490	673	543	
12"	298	838		495	875	770	
14"	327	889		546	944	773	
16"	387	991		612	1220	1015	
18"	419	1092		686	1620	1350	
20"	464	1194		753	2120	1750	
24"	559	1397		890	3100	2520	
30"	695	1651		1100	3859	3158	

Class 900# Fig NO. 287(RF/RTJ)  
287 1/2 (BW)

#### DIMENSIONS AND WEIGHTS

Size inch	d	A		B		Weight(kg)	
		RF & BW				RF & BW	
2"	47	368		241	69	52	
3"	73	381		241	91	70	
4"	98	457		267	145	112	
6"	146	610		394	259	218	
8"	191	737		406	565	448	
10"	238	838		500	900	733	
12"	282	965		572	1200	975	
14"	311	1029		630	1500	1240	
16"	356	1130		720	2130	1760	
18"	400	1219		800	2500	2105	
20"	445	1321		870	3200	2895	
24"	533	1549		1000	4700	4025	

Other Sizes: On request  
RF: Flanged BW: Butt Weld

STANDARDS:	
Design	ANSI B16.34 & BS 1868
Test	API 598
Face to Face Dimensions	ANSI B16.10
End Flange Dimensions	ANSI B16.5 (2" ~ 24")
	ANSI B16.47 (30" ~ 54")
Butt-Weld Ends	ANSI B16.25

#### AVAILABLE OPTIONS:

STRUCTURE	End, Connection: Flange Raised Face, Butt Weld, RTJ...
	Seat Rings: Threaded (Renewable), Welded
* MATERIAL	Body: WCB, WC1, WC6, WC9, LCB, LCC, LC3, C5, C12, CF8, CF8M, CF3, CF3M, CF8C...
	Trims: 13%Cr, 304, 304L, 316, 316L, 321, 347, F-51, Monel...
Accessories	Hydraulic Damper, Counter Weight (Lever + Weight)

\*Please refer to page of "Build Material"