



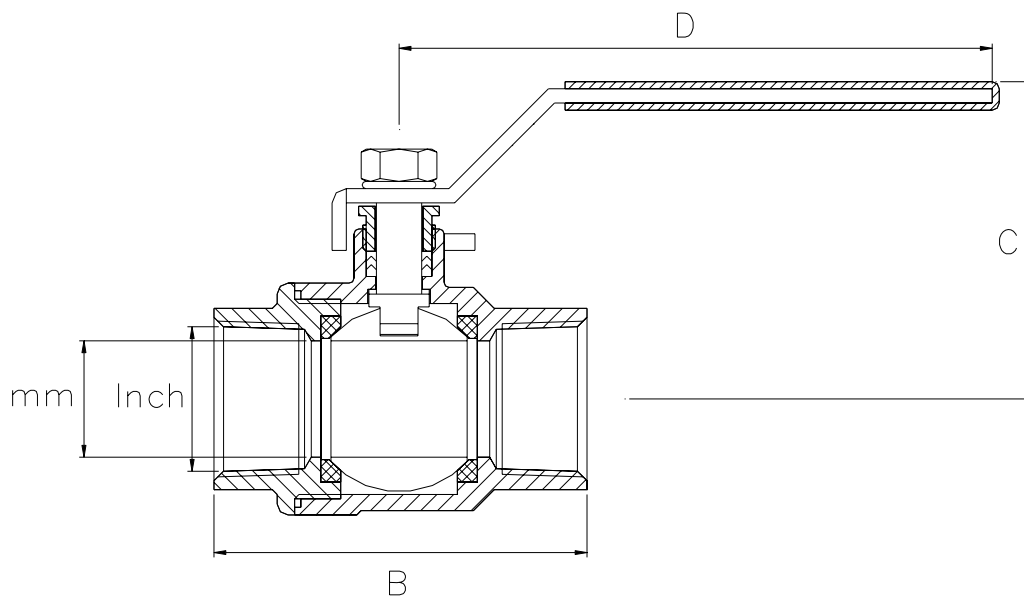
ΣΦΑΙΡΙΚΟΙ ΚΡΟΥΝΟΙ ΑΕΡΙΟΥ, ΟΡΕΙΧΑΛΚΙΝΟΙ, ΒΙΔΩΤΟΙ, ΟΛΙΚΗΣ ΔΙΑΤΟΜΗΣ PN25, KLINGER VN2000



Klinger Ball-o-top ball valves are suitable for many industrial and process applications with cold and hot compressed air. Klinger Ball-o-top are hand-lever operated.

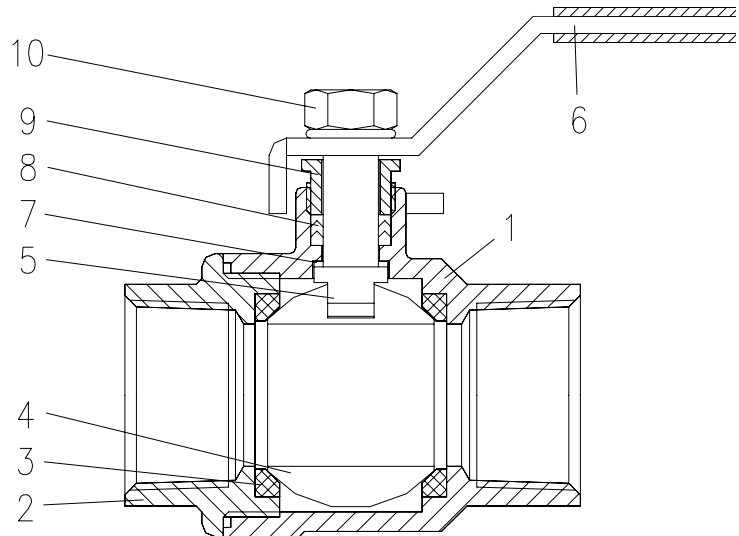
- ✓ Threaded ends BSP(P) female.
- ✓ Full bore.
- ✓ 2-piece ball valve.
- ✓ PTFE seats.
- ✓ Pressure class PN 25.
- ✓ Nickel plated brass.

Dimensions										
DN	mm	8	10	15	20	25	32	40	50	65
	Inch	1/4"	3/8"	1/2"	3/4"	1"	1 1/4"	1 1/2"	2"	2 1/2"
B		44	49	62	70	84	98	106	126	152
C		42	42	45	54	58	75	81	96	107
D		95	95	95	115	115	155	155	175	215





Item	Parts	Materials
1	Body 1	Nickel plated brass
2	Body 2	Nickel plated brass
3	Seats	PTFE
4	Ball	Polished nickel plated brass
5	Shaft	Nickel plated brass
6	Hand-lever	Steel
7	Packing	PTFE
8	Packing	PTFE
9	Pressure ring	Nickel plated brass
10	Nut	Nickel plated brass



Pressure-Temperature curve

