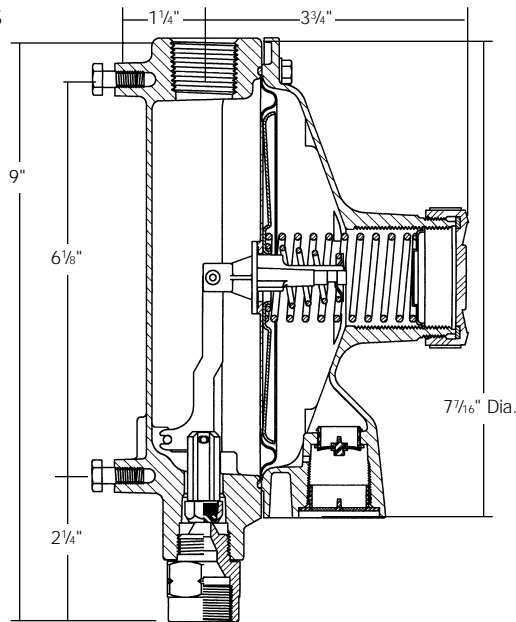


# Low Pressure Second Stage Regulators

LV5503B Series



ΡΥΘΜΙΣΤΕΣ ΧΑΜΗΛΗΣ ΠΙΕΣΗΣ

31361xA 1/1



## Application

Designed to reduce first stage pressure of 5 to 20 PSIG down to burner pressure, normally 11" w.c. Ideal for larger commercial and industrial applications, multiple cylinder installations and large domestic systems.

## Features

- Incorporates integral relief valve.
- With 15 PSIG inlet pressure, regulator is designed to not pass more than 2 PSIG with the seat disc removed.
- Replaceable valve orifice and valve seat disc.
- Straight line valve closure saves wear on seat disc and orifice.
- Built in pressure tap has plugged 1/8" F.NPT outlet. Plug can be removed with a 3/16" hex allen wrench.
- Large bonnet vent profile minimizes vent freeze over when properly installed.
- Extra long lever arm for uniform delivery pressure.
- Large diaphragm is extra sensitive to pressure changes.
- Select brown finish.

## Materials

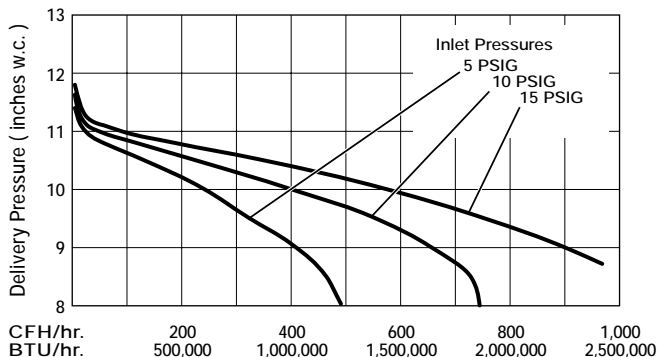
- Body ..... Die Cast Aluminum
- Bonnet ..... Die Cast Aluminum
- Nozzle Orifice ..... Brass
- Spring ..... Steel
- Valve Seat Disc ..... Resilient Rubber
- Diaphragm ..... Integrated Fabric and Synthetic Rubber

## Ordering Information

Part Number	Inlet Connection	Outlet Connection	Orifice Size	Factory Delivery Pressure	Adjustment Range	Bonnet Vent Position	Vapor Capacity BTU/hr. Propane*
LV5503B4	1/2" F. NPT	3/4" F. NPT	1/4"	11" w.c. at 10 PSIG Inlet	9" - 13" w.c.	Over Inlet	1,600,000
LV5503B6	3/4" F. NPT						
LV5503B8							

\* Maximum flow is based on 10 PSIG inlet and 9" w.c. delivery pressure.

LV5503B4, LV5503B6



LV5503B8

