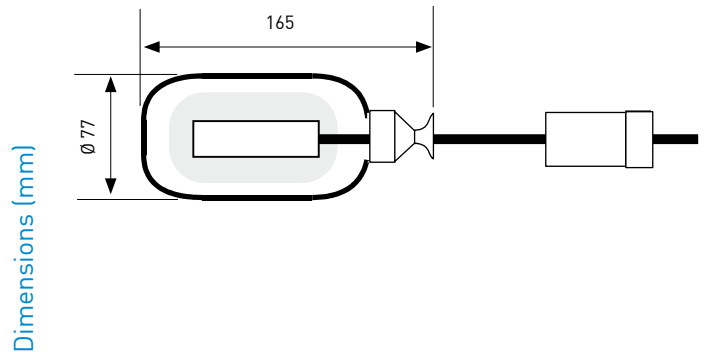


Electromechanical submersible level controls for open tanks

Suitable for monophasic pumps with direct control to adjust levels of clear or contaminated water, acid or alkaline aqueous solutions of any density. Do not use for ketonic and aromatic hydrocarbons.



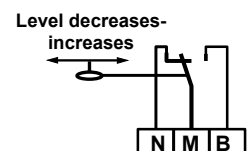
| | Cable type | Cable length m | Contacts parameters | Maximum immers. pressure bar | Maximum liquid temperature °C | Protection level |
|-------------|------------|----------------|-------------------------|------------------------------|-------------------------------|------------------|
| A95A | PVC | 3 | 10(4)A 250 Va.c. | 10 | 60 | IP68 |
| A95AS1 | PVC | 5 | 10(4)A 250 Va.c. | 10 | 60 | IP68 |
| A95AS2 | NEOPRENE | 3 | 10(4)A 250 Va.c. | 10 | 60 | IP68 |
| A95AS3 | NEOPRENE | 5 | 10(4)A 250Va.c. | 10 | 60 | IP68 |
| A95B | PVC | 10 | 10(4)A 250 Va.c. | 10 | 60 | IP68 |
| A95BS1 | PVC | 15 | 10(4)A 250 Va.c. | 10 | 60 | IP68 |
| A95BS4 | NEOPRENE | 10 | 10(4)A 250 Va.c. | 10 | 60 | IP68 |
| A95BS5 | NEOPRENE | 15 | 10(4)A 250 Va.c. | 10 | 60 | IP68 |
| A95BS6 | NEOPRENE | 20 | 10(4)A 250 Va.c. | 10 | 60 | IP68 |
| A95BBS7 | NEOPRENE | 25 | 10(4)A 250 Va.c. | 10 | 60 | IP68 |

HOMOLOGATION AND STANDARDS

Conformity with EN 60730-2-16 standards.
Homologation TÜV 

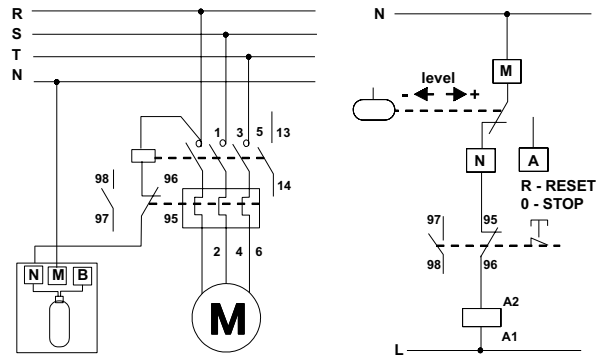
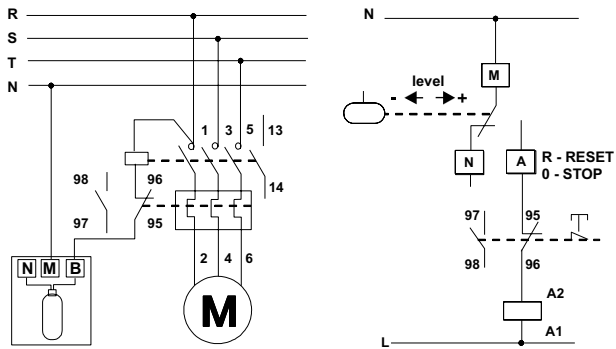
ELECTRICAL FEATURES

Electrical SPDT switch with one way and 2 positions.
Electrical cable type A05VV-F 3x1 RF60 CEI-UNEL 35746.
Double insulation: 4kW.



WIRING DIAGRAM FOR EMPTYING PUMP

WIRING DIAGRAM FOR FILLING PUMP



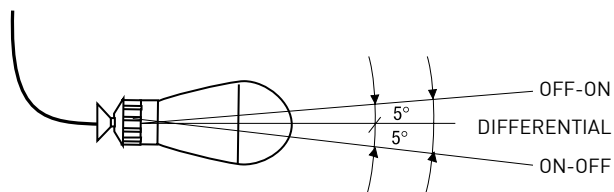
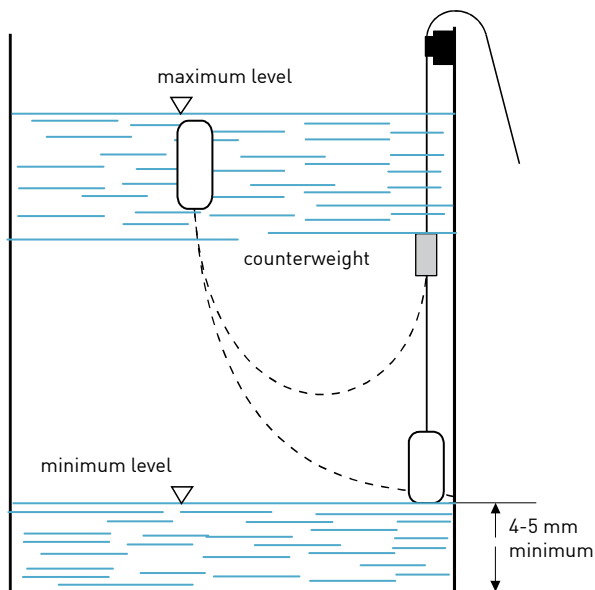
OPERATION

Controlled liquid: water.

Submersible sealed float.

Level differential is obtained by adjusting the counterweight position along the cable.

INSTALLATION EXAMPLE



FEATURES

Blow moulded moplen outer casing, chemical resistant and shockproof.

Intermediate casing filled with polyurethane foam.

In the inner side is located a two-channel electrical device with two positions.

Working area of the electrical device is made of lead to prevent blocking and oxidation.

Adjustable counterweight position to select the level differential.

Moplen blow moulded cable gland on the electrical cable.

☐ Double insulation.

Test class: II.

Storage and transport temperature: $-25 \div 60^{\circ}\text{C}$.

A95A Unit weight 0,7 Kg.

A95B Unit weight 1,3 Kg.



CHRYSSAFIDIS