

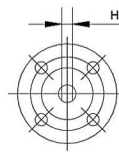
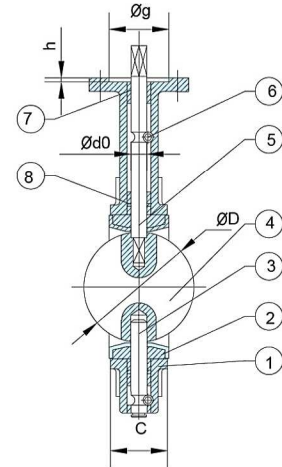
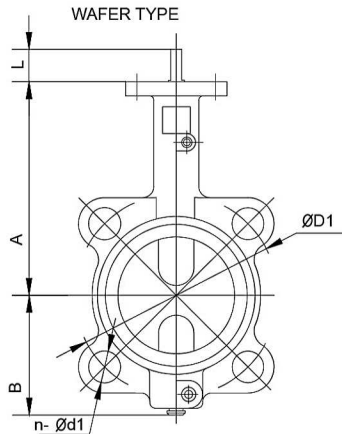

IMGV | IMGU VALVE

CHRYSSAFIDIS

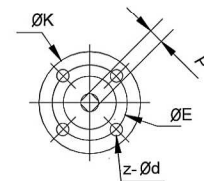
Butterfly Valve

ΔΙΚΛΕΙΔΕΣ ΠΕΤΑΛΟΥΔΑΣ ΔΙΠΛΟΥ ΑΞΟΝΑ


Wafer Butterfly Valve (Half Shaft Without Pin)



DOUBLE D HEAD



DIAGONAL SQUARE HEAD

- Type:
Wafer
- Face to Face:
API609,BS5155,DIN3202, ISO5752
- Flange:
DIN,BS,UNI,ISO,ANSI, AS,JIS
- Mounting Flange:
ISO5211

- Working Pressure:
PN16(200PSI)
- Application:
Water works, Public facilities, Building Industry, Petroleum, Chemical, Steel, Metallurgy, Paper Making Industry, Foods, Beverage

STANDARD MATERIALS OF MAIN PARTS

NO.	PART	MATERIAL
1	Body	Cast Iron,Ductile Iron, Carbon Steel,Stainless Steel
2	Seat	NBR,EPDM,PTFE,Viton,Neoprene,Hypalon,Silicon
3	lower Shaft	Stainless Steel 416,316,304
4	Disc	Ductile Iron+Ni(Nylon/Epoxy),CF8,CF8+PTFE(PFA), CF8M,CF8M+PTFE(PFA),Bronze
5	Upper Shaft	Stainless Steel 416,316,304
6	Locating Pin	Carbon Steel
7	Bushing	PTFE
8	O Ring	NBR,EPDM

DIMENSIONS

SIZE		UPPER FLANGE										ANSI 150		DIN PN10/16					
IN	DN	A	B	C	D	L	d0	P	H	K	E	z-d	g	h	D1	n-d1	D1	n-d1	
2	50	161	80	42	52.6	32	12.6	9	10	77	50	4-7	35	3	120.5	4-19	125	4-18	
2	1/2	65	175	89	44.7	64.5	32	12.6	9	10	77	50	4-7	35	3	139.5	4-19	145	4-18
3	80	181	95	45.2	78.8	32	12.6	9	10	77	50	4-7	35	3	152.5	4-19	160	4/8-18	
4	100	200	114	52.1	104	32	15.77	11	12	90	70	4-9	55	3	190.5	8-19	180	8-18	
5	125	213	127	54.4	123.3	32	18.92	14	14	90	70	4-9	55	3	216	8-22	210	8-18	
6	150	226	139	55.8	155.6	32	18.92	14	14	90	70	4-9	55	3	241.5	8-22	240	8-23	
8	200	260	175	60.6	202.5	45	22.1	17	17	125	102	4-12	70	3.5	298.5	8-22	295	8/12-23	
10	250	292	203	65.6	250.5	45	28.45	22	22	125	102	4-12	70	3.5	362	12-25	350/355	12-23/27	
12	300	337	242	76.9	301.6	45	31.6	22	24	140	102	4-12	70	3.5	432	12-25	400/410	12-23/27	