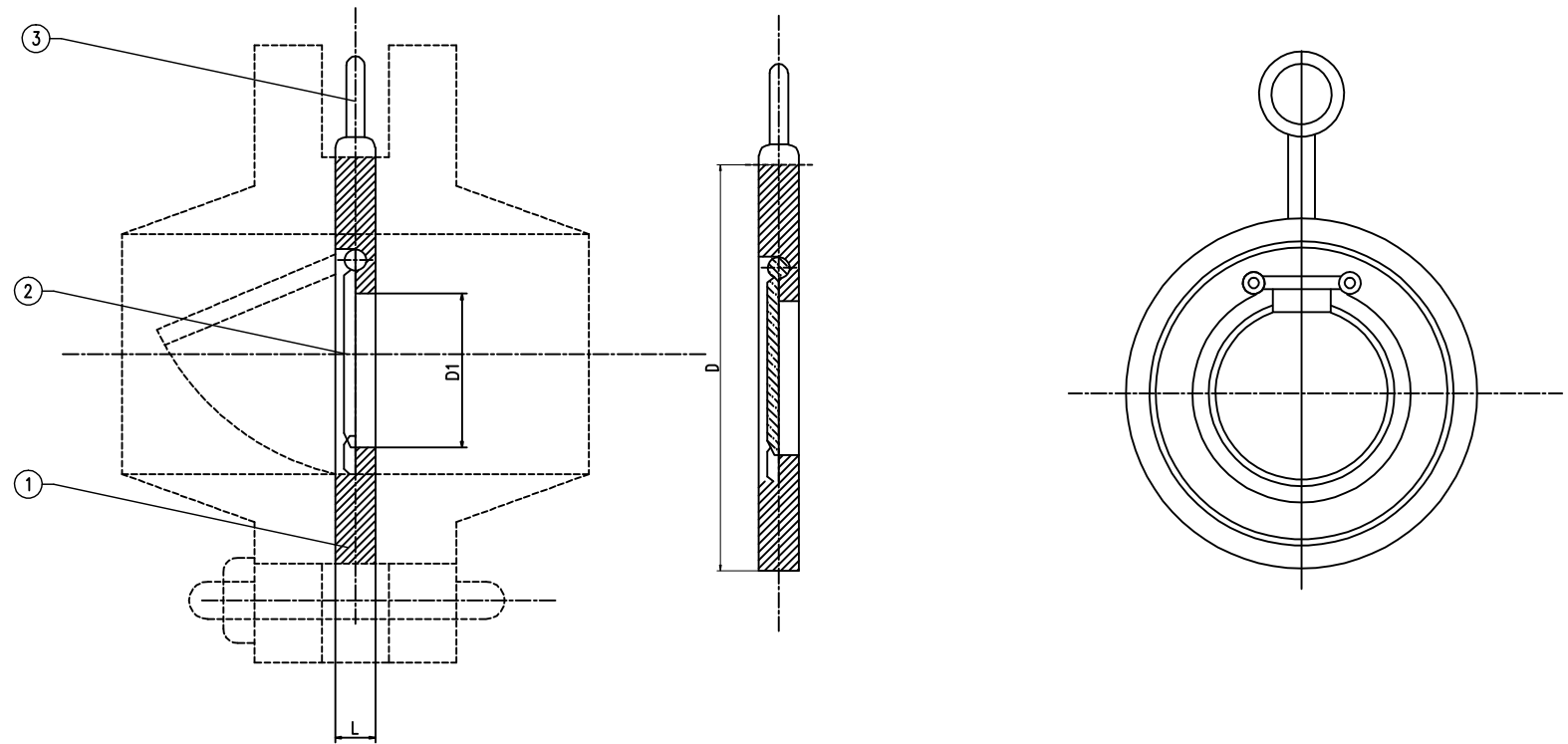


ΚΛΑΠΕ ΑΝΟΞΕΙΔΩΤΟΥ ΔΙΣΚΟΥ PN16

设计/Design & Manufacturing:		性能规格/Performance Specification		
特殊长度/Face to Face:		公称压力/Nominal Pressure	PN16	试验介质/Test Medium
连接尺寸/Connection Dimensions:		壳体试验/Shell Test	2.4	MPa
试验与测试/Test:		密封试验/Seal Test	1.76	
适用温度/Suitable Temperature	-29~150°C	上密封试验/Back Seal Test	-	水/Water
适用介质/Suitable Media	水、油、气/W.O.G	气密封试验/Air Seal Test	0.6	气/Air



CHRYSSAFIDIS S.A./ ATHENS: 3 AGRINIOU STR, TAVROS - (+30) 210 4836315-20 / THESSALONIKI: DA12A STR, OT32, BIPE SINDOU - (+30) 2310 754681-4 / www.chryssafidis.com / sales@chryssafidis.gr

150	19	218	114
100	18	162	71
DN	L	D	D1



3	螺钉/Screw	A29 1025
2	盘/Disc	ASTM A351 CF8+NBR
1	轴/Body	ASTM A216 WCB
号/No.	名/Name	材/Material
客户/Client:		
合同/Contract:		
DN/NPS:DN80-100	产品名称/Product name: 对夹止回阀	压力等级/Class:PN16
数量/Quantity:	设计/Designer:	型号/Type:H74X-16C
重量/Weight:	日期/Date:2022.1.17	总装图/Assemble Drawing