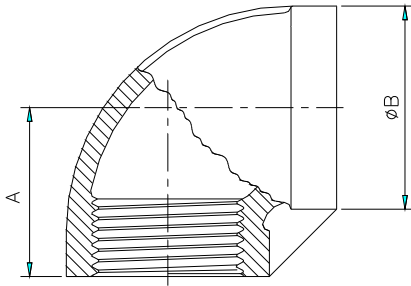




CHRYSSAFIDIS

# Elbow 90°



## F01

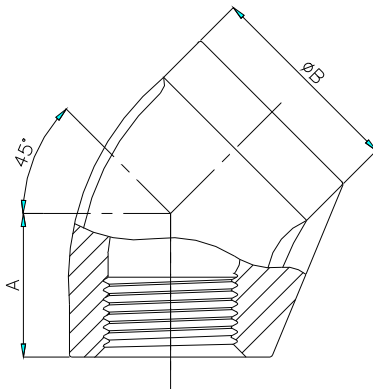
Class  
**150**

**ISO 7/1 Rp**

SIZE	1/8"		1/4"		3/8"		1/2"		3/4"		1"		1-1/4"		1-1/2"		2"		2-1/2"		3"	
	mm	in	mm	in	mm	in	mm	in	mm	in	mm	in	mm	in	mm	in	mm	in	mm	in	mm	in
A	17	0.67	19	0.75	21.5	0.85	27	1.06	30	1.18	35	1.38	43	1.69	45	1.77	54	2.12	64	2.52	72	2.83
B	16	0.63	19	0.75	22.5	0.89	29	1.14	34	1.34	42	1.65	50	1.97	57	2.24	70	2.76	88	3.46	101	3.97

Tolerance : ± 0.8mm

# Elbow 45°



## F02

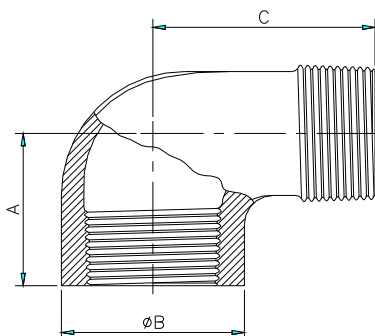
Class  
**150**

**ISO 7/1 Rp**

SIZE	1/8"		1/4"		3/8"		1/2"		3/4"		1"		1-1/4"		1-1/2"		2"	
	mm	in	mm	in	mm	in	mm	in	mm	in	mm	in	mm	in	mm	in	mm	in
A	15	0.6	16	0.63	18	0.71	20	0.79	24	0.94	27	1.06	31	1.22	34	1.34	39	1.53
B	15	0.6	19	0.75	22.5	0.89	29	1.14	34	1.34	42	1.65	50.6	1.99	57.5	2.26	71	2.8

Tolerance : A ± 1.5mm  
B ± 1.5mm

# Street Elbow



## F03

Class  
**150**

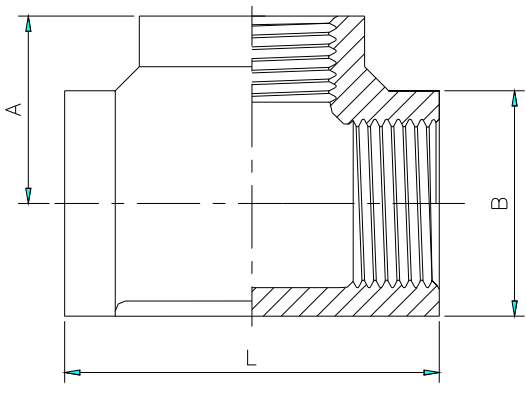
**ISO 7/1 Rp R**

SIZE	1/8"		1/4"		3/8"		1/2"		3/4"		1"		1-1/4"		1-1/2"		2"		2-1/2"		3"		4"	
	mm	in	mm	in	mm	in	mm	in	mm	in	mm	in	mm	in	mm	in	mm	in	mm	in	mm	in	mm	in
A	19	0.75	21.5	0.85	24.5	0.96	29	1.14	33.5	1.32	37	1.46	43	1.69	47	1.85	57.5	2.26	66	2.60	74	2.01	90	3.54
B	15	0.59	18.2	0.72	22.5	0.89	28	1.10	33.5	1.32	42	1.65	52	2.05	59	2.32	72	2.83	87	3.43	101	3.98	128	5.04
C	26.5	1.04	30.8	1.21	36.5	1.44	41	1.61	48	1.89	55	2.16	62	2.44	67	2.63	77.5	3.05	93	3.66	107	4.21	130	5.12

Tolerance : ± 1.0mm



# Tee

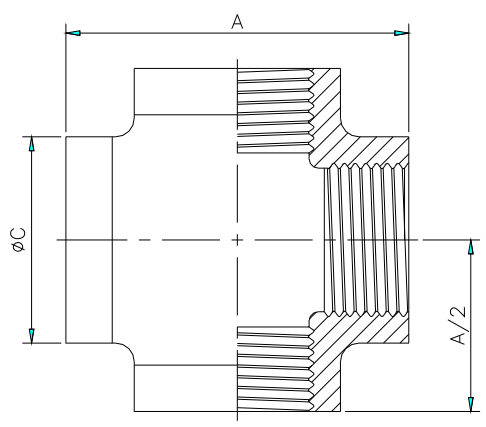


**F04**  
 Class **150**  
 ISO 7/1 Rp

SIZE	1/8"		1/4"		3/8"		1/2"		3/4"		1"		1-1/4"		1-1/2"		2"		2-1/2"		3"	
	mm	in	mm	in	mm	in	mm	in	mm	in	mm	in	mm	in	mm	in	mm	in	mm	in	mm	in
A	17	0.67	19.6	0.77	23.5	0.93	27.5	1.08	32	1.26	36	1.42	43	1.69	45	1.77	54	2.13	64	2.52	72	2.83
B	16	0.63	18.8	0.74	22.5	0.89	29	1.14	34	1.34	41.5	1.63	50	1.97	57	2.24	70	2.76	88	3.46	101	3.97
L	34	1.34	39	1.54	46	1.81	55	2.17	62	2.44	72	2.83	86	3.38	90	3.54	108	4.25	128	5.04	143	5.63

Tolerance : ± 1.0mm

# Cross

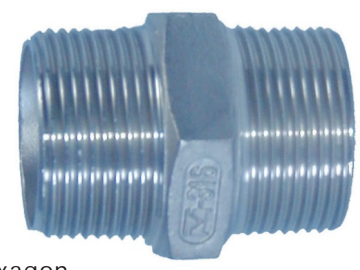
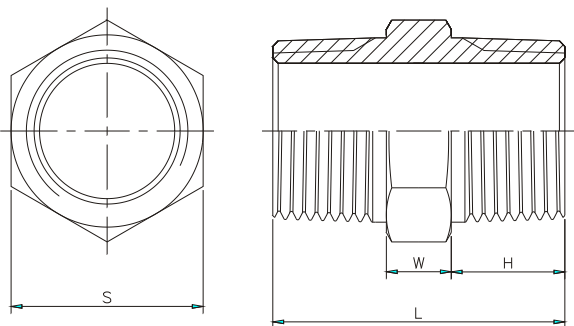


**F05**  
 Class **150**  
 ISO 7/1 Rp

SIZE	1/8"		1/4"		3/8"		1/2"		3/4"		1"		1-1/4"		1-1/2"		2"	
	mm	in	mm	in	mm	in	mm	in	mm	in	mm	in	mm	in	mm	in	mm	in
A	35	1.38	39	1.54	44	1.73	55	2.45	63	2.48	73	2.87	85	3.35	90	3.54	108	4.25
C	16	0.63	19	0.75	22.2	0.87	28	1.10	33.5	1.32	42	1.65	50	1.97	57	2.24	70	2.76

Tolerance : ± 1.0mm

# Hexagon Nipple



**F06**  
 Class **150**  
 ISO 7/1 R

1/8" ~ 2" Hexagon  
 2-1/2" ~ 4" Octagon

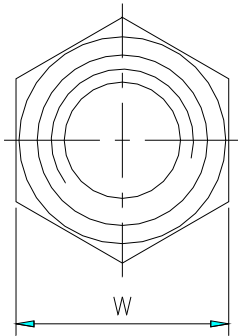
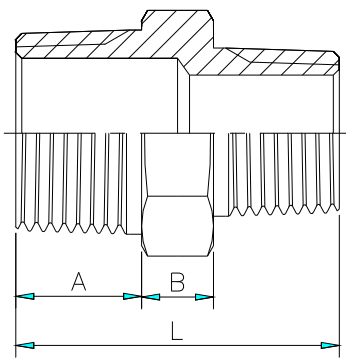
SIZE	1/8"		1/4"		3/8"		1/2"		3/4"		1"		1-1/4"		1-1/2"		2"		2-1/2"		3"		4"	
	mm	in	mm	in	mm	in	mm	in	mm	in	mm	in	mm	in	mm	in	mm	in	mm	in	mm	in	mm	in
H	12	0.47	13	0.51	13	0.51	16	0.63	17.5	0.69	19.5	0.77	21	0.82	21	0.82	23	0.9	25	0.98	28	1.1	30	1.18
L	30	1.18	32	1.26	33	1.30	41	1.61	43.5	1.71	49	1.93	52	2.05	52	2.05	57	2.24	63	2.48	69	2.72	75	2.95
S	13	0.51	15	0.59	18.5	0.73	22.5	0.89	29.0	1.14	35	1.38	45	1.77	50	1.97	62	2.44	78	3.07	91	3.58	118	4.64
W	6	0.24	6	0.24	6	0.24	8	0.31	8.5	0.33	9	0.35	10	0.39	10	0.39	11	0.43	13	0.51	13	0.51	15	0.59

Tolerance : ± 1.0mm





# Reducing Nipple



**F07**  
 Class  
**150**  
 ISO 7/1 R

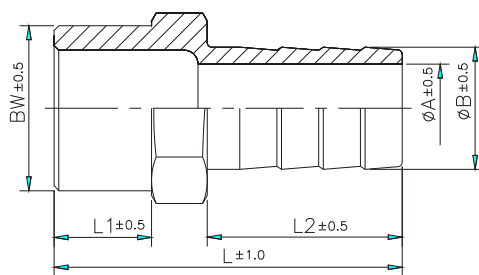
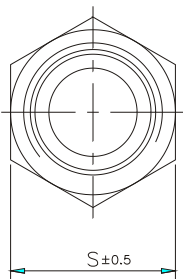
SIZE	1/8x1/4		3/8x1/8		3/8x1/4		1/2x1/8		1/2x1/4		1/2x3/8		3/4x1/8		3/4x1/4		3/4x3/8		3/4x1/2		1x1/4	
	mm	in	mm	in	mm	in	mm	in	mm	in	mm	in	mm	in	mm	in	mm	in	mm	in	mm	in
A	13.5	0.53	15	0.59	15	0.59	16.5	0.65	16.5	0.65	16.5	0.65	17.5	0.69	17.5	0.69	17.5	0.69	17.5	0.69	20	0.79
B	6	0.24	7	0.28	7	0.28	7	0.28	7	0.28	7	0.28	7	0.28	7	0.28	7	0.28	7	0.28	9	0.35
W	15.5	0.61	19.7	0.78	19.7	0.78	23	0.90	23	0.90	23	0.90	28.7	1.13	28.7	1.13	28.7	1.13	28.7	1.13	36	1.42
L	31	1.22	33	1.3	34.5	1.36	36.5	1.44	36.5	1.44	36.5	1.44	41	1.61	41	1.61	41	1.61	41	1.61	42	1.65

SIZE	1x3/8		1x1/2		1x3/4		1-1/4x1/4		1-1/4x3/8		1-1/4x1/2		1-1/4x3/4		1-1/4x1		1-1/2x1/4		1-1/2x3/8		1-1/2x1/2	
	mm	in	mm	in	mm	in	mm	in	mm	in	mm	in	mm	in	mm	in	mm	in	mm	in	mm	in
A	20	0.79	20	0.79	20	0.79	21.8	0.86	21.8	0.86	21.8	0.86	21.8	0.86	21.8	0.86	21.6	0.86	21.6	0.86	21.6	0.86
B	9	0.35	9	0.35	9	0.35	10.5	0.41	10.5	0.41	10.5	0.41	10.5	0.41	10.5	0.41	10.5	0.41	10.5	0.41	10.5	0.41
W	36	1.42	36	1.42	36	1.42	45.5	1.79	45.5	1.79	45.5	1.79	45.5	1.79	45.5	1.79	51	2.00	51	2.00	51	2.00
L	42	1.65	42	1.65	42	1.65	47	1.85	47	1.85	49	1.93	49	1.93	52.5	2.07	47	1.85	47	1.85	49	1.93

SIZE	1-1/2x3/4		1-1/2x1		1-1/2x1-1/4		2x3/8		2x1/2		2x3/4		2x1		2x1-1/4		2x2-1/2	
	mm	in	mm	in	mm	in	mm	in	mm	in	mm	in	mm	in	mm	in	mm	in
A	21.6	0.86	21.6	0.86	21.6	0.86	24	0.94	24	0.94	24	0.94	24	0.94	24	0.94	24	0.94
B	10.5	0.41	10.5	0.41	10.5	0.41	10.5	0.41	10.5	0.41	10.5	0.41	10.5	0.41	10.5	0.41	10.5	0.41
W	51	2.00	51	2.00	51	2.00	63	2.48	63	2.48	63	2.48	63	2.48	63	2.48	63	2.48
L	49	1.93	55	2.16	55	2.16	52	2.05	52	2.05	54	2.13	54	2.13	56	2.2	56	2.2

Tolerance : ± 1.0mm

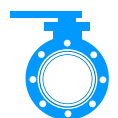
# Hose Nipple



**F08**  
 Class  
**150**  
 ISO 7/1 R

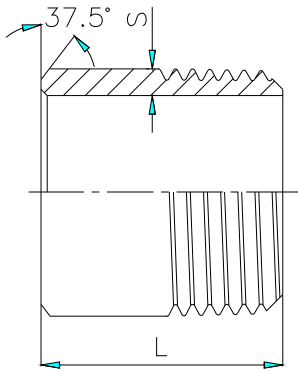
SIZE	1/4"		3/8"		1/2"		3/4"		1"		1-1/4"		1-1/2"		2"		2-1/2"		3"		4"	
	mm	in	mm	in	mm	in	mm	in	mm	in	mm	in	mm	in	mm	in	mm	in	mm	in	mm	in
A	5	0.20	6.5	0.26	9	0.35	15	0.59	19.5	0.77	26	1.02	33	1.30	44	1.73	55.5	2.19	68	2.68	90	3.54
B	8	0.31	10	0.39	13	0.51	20	0.79	25	0.98	32	1.26	40	1.57	51.5	2.03	63.5	2.50	76.5	3.01	101	3.98
L1	11	0.43	13	0.51	17	0.67	17	0.67	20	0.79	23	0.91	23	0.91	26	1.02	30	1.18	32	1.26	35	1.38
L2	29	1.14	33	1.30	39	1.54	39	1.54	40	1.57	46	1.81	52	2.05	61	2.40	66	2.60	76	2.99	84	3.31
L	46	1.81	53	2.09	63	2.48	65	2.56	69	2.72	78	3.07	86	3.39	102	4.02	109	4.29	122	4.80	134	5.26
S	15	0.59	19	0.75	23	0.91	29	1.14	37	1.46	45	1.77	51	2.00	62	2.44	79	3.11	91.5	3.60	120	4.72
BW	13.5	0.53	17.3	0.68	21.6	0.85	26.8	1.06	33.7	1.33	42.5	1.67	48.5	1.91	60.2	2.37	76	3	89	3.50	114	4.48

Tolerance : ± 1.0mm





# Welding Nipple



**F09**

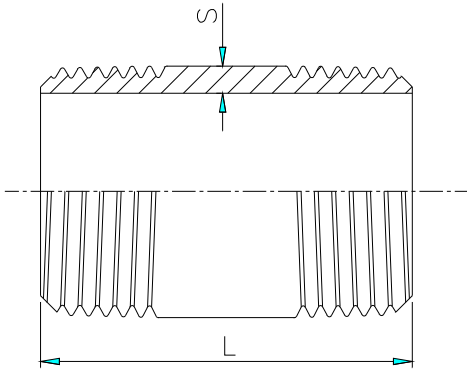
Class  
**150**

**ISO 7/1 R**

SIZE	1/4"		3/8"		1/2"		3/4"		1"		1-1/4"		1-1/2"		2"		2-1/2"		3"		4"	
	mm	in	mm	in	mm	in	mm	in	mm	in	mm	in	mm	in	mm	in	mm	in	mm	in	mm	in
S	2	0.08	2	0.08	2.5	0.10	2.5	0.10	3.2	0.13	3.2	0.13	3.2	0.13	3.6	0.14	3.6	0.14	4	0.16	4.5	0.18
L	30	1.18	30	1.18	35	1.38	40	1.57	40	1.57	50	2.00	50	2.00	50	2.00	60	2.36	70	2.76	80	3.15

Tolerance : ± 1.0mm

# Barrel Nipple



**F10**

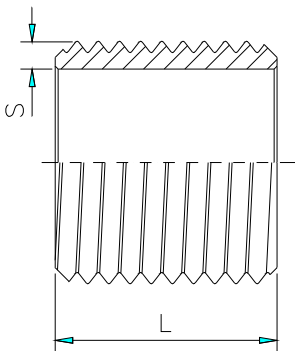
Class  
**150**

**ISO 7/1 R**

SIZE	1/4"		3/8"		1/2"		3/4"		1"		1-1/4"		1-1/2"		2"		2-1/2"		3"		4"	
	mm	in	mm	in	mm	in	mm	in	mm	in	mm	in	mm	in	mm	in	mm	in	mm	in	mm	in
S	2	0.08	2	0.08	2.5	0.10	2.5	0.10	3.2	0.13	3.2	0.13	3.2	0.13	3.6	0.14	3.6	0.14	4	0.16	4.5	0.18
L	40	1.57	40	1.57	60	2.36	60	2.36	60	2.36	80	3.15	80	3.15	100	3.94	100	3.94	120	4.72	120	4.72

Tolerance : ± 1.0mm

# Thread Nipple



**F11**

Class  
**150**

**ISO 7/1 Rp**

SIZE	3/8"		1/2"		3/4"		1"		1-1/4"		1-1/2"		2"		2-1/2"		3"	
	mm	in	mm	in	mm	in	mm	in	mm	in	mm	in	mm	in	mm	in	mm	in
S	1.9	0.07	2.3	0.09	2.5	0.10	3.2	0.13	3.2	0.13	3.2	0.13	3.6	0.14	3.6	0.14	4	0.16
L	22	0.87	25	0.98	30	1.18	35	1.38	38	1.50	38	1.50	45	1.77	55	2.17	60	2.36

Tolerance : ± 1.0mm



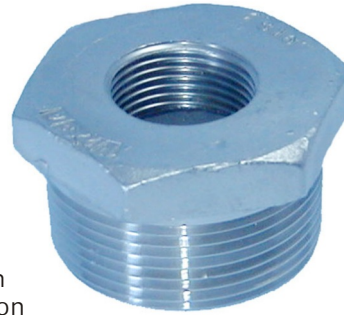
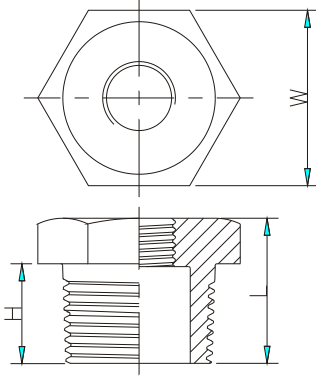


# Hexagon Bushing

**F12**

Class  
**150**

ISO 7/1 Rp R



1/4" ~ 2" Hexagon  
2-1/2" ~ 4" Octagon

SIZE	1/8x1/4		3/8x1/8		3/8x1/4		1/2x1/8		1/2x1/4		1/2x3/8		3/4x1/8		3/4x1/4		3/4x3/8		3/4x1/2			
	mm	in	mm	in	mm	in	mm	in	mm	in	mm	in	mm	in	mm	in	mm	in	mm	in		
L	17	0.67	17.5	0.69	17.5	0.69	22	0.87	22	0.87	22	0.87	23	0.91	23	0.91	23	0.91	23	0.91	23	0.91
H	12.5	0.49	12	0.47	12	0.47	16	0.63	16	0.63	16	0.63	17	0.67	17	0.67	17	0.67	17	0.67	17	0.67
W	17	0.67	21	0.83	21	0.83	25	0.98	25	0.98	25	0.98	30	1.18	30	1.18	30	1.18	30	1.18	30	1.18

SIZE	1x1/4		1x3/8		1x1/2		1x3/4		1-1/4x1/2		1-1/4x3/4		1-1/4x1		1-1/2x1/2		1-1/2x3/4		1-1/2x1			
	mm	in	mm	in	mm	in	mm	in	mm	in	mm	in	mm	in	mm	in	mm	in	mm	in		
L	27.5	1.08	27.5	1.08	27.5	1.08	27.5	1.08	30	1.18	30	1.18	30	1.18	30.5	1.20	30.5	1.20	30.5	1.20	30.5	1.20
H	20	0.79	20	0.79	20	0.79	20	0.79	21.5	0.85	21.5	0.85	21.5	0.85	22	0.87	22	0.87	22	0.87	22	0.87
W	37	1.46	37	1.46	37	1.46	37	1.46	46	1.81	46	1.81	46	1.81	50	1.97	50	1.97	50	1.97	50	1.97

SIZE	1-1/2x1-1/4		2x3/4		2x1		2x1-1/4		2x1-1/2		2-1/2x1		2-1/2x1-1/4		2-1/2x1-1/2		2-1/2x2		3x1/2	
	mm	in	mm	in	mm	in	mm	in	mm	in	mm	in	mm	in	mm	in	mm	in	mm	in
L	30.5	1.20	33.5	1.32	33.5	1.32	33.5	1.32	33.5	1.32	40	1.57	40	1.57	40	1.57	40	1.57	41	1.61
H	22	0.87	23.5	0.93	23.5	0.93	23.5	0.93	23.5	0.93	29	1.14	29	1.14	29	1.14	29	1.14	29	1.14
W	50	1.97	62	2.44	62	2.44	62	2.44	62	2.44	80	3.15	80	3.15	80	3.15	80	3.15	92	3.62

SIZE	3x3/4		3x1		3x1-1/4		3x1-1/2		3x2		3x2-1/2		4x1/2		4x3/4		4x1		4x1-1/4	
	mm	in	mm	in	mm	in	mm	in	mm	in	mm	in	mm	in	mm	in	mm	in	mm	in
L	41	1.61	41	1.61	41	1.61	41	1.61	41	1.61	41	1.61	45	1.77	45	1.77	45	1.77	45	1.77
H	29	1.14	29	1.14	29	1.14	29	1.14	29	1.14	29	1.14	31	1.22	31	1.22	31	1.22	31	1.22
W	92	3.62	92	3.62	92	3.62	92	3.62	92	3.62	92	3.62	118	4.64	118	4.64	118	4.64	118	4.64

SIZE	4x1-1/2		4x2		4x2-1/2		4x3	
	mm	in	mm	in	mm	in	mm	in
L	45	1.77	45	1.77	45	1.77	45	1.77
H	31	1.22	31	1.22	31	1.22	31	1.22
W	118	4.64	118	4.64	118	4.64	118	4.64

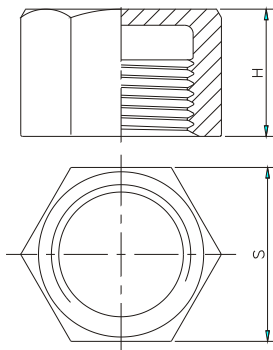
Tolerance : ± 1.0mm

# Hexagon Cap

**F13**

Class  
**150**

ISO 7/1 Rp



SIZE	1/4"		3/8"		1/2"		3/4"		1"		1-1/4"		1-1/2"		2"		2-1/2"		3"		4"	
	mm	in	mm	in	mm	in	mm	in	mm	in	mm	in	mm	in	mm	in	mm	in	mm	in	mm	in
S	17.5	0.69	21	0.83	26	1.02	31	1.22	38.5	1.52	47	1.85	54	2.13	66	2.60	83	3.27	96	3.78	123	4.84
H	17	0.67	17	0.67	21	0.83	21	0.83	28	1.10	31.5	1.24	31.5	1.24	35	1.38	38	1.50	38	1.49	41	1.61

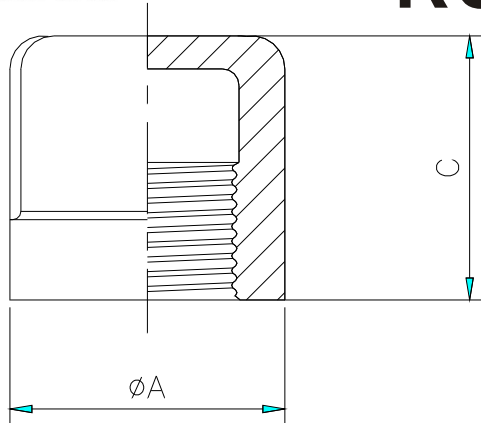
Tolerance : ± 1.0mm







# Round Cap



**F14**

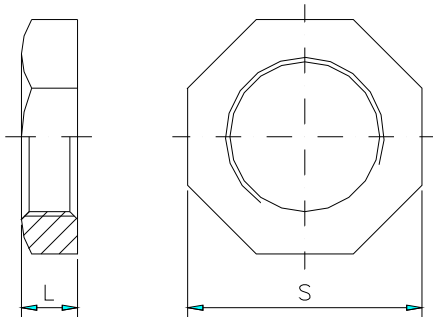
Class  
**150**

**ISO 7/1 Rp**

SIZE	1/4"		3/8"		1/2"		3/4"		1"		1-1/4"		1-1/2"		2"		2-1/2"		3"		4"	
	mm	in	mm	in	mm	in	mm	in	mm	in	mm	in	mm	in	mm	in	mm	in	mm	in	mm	in
A	20	0.79	22.5	0.88	29	1.14	34	1.34	42.5	1.67	51	2.01	57.5	2.26	70	2.76	86	3.38	101	3.98	128	5.04
C	17	0.67	18.5	0.73	20.5	0.81	21.5	0.85	27	1.06	28.5	1.12	28.5	1.12	31	1.22	39	1.53	40	1.57	41	1.61

Tolerance :  $\pm 1.0\text{mm}$

# Hexagon Nut



**F15**

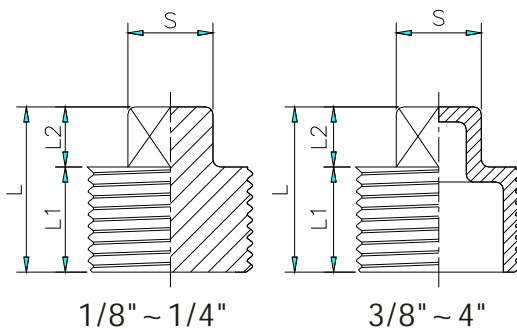
Class  
**150**

**ISO 7/1 Rp**

SIZE	1/8"		1/4"		3/8"		1/2"		3/4"		1"		1-1/4"		1-1/2"		2"		2-1/2"		3"		4"	
	mm	in	mm	in	mm	in	mm	in	mm	in	mm	in	mm	in	mm	in	mm	in	mm	in	mm	in	mm	in
L	6.5	0.26	7	0.28	7	0.28	8	0.31	9	0.35	9	0.35	11	0.43	12	0.47	13	0.51	15	0.59	17	0.67	18	0.71
S	16	0.63	18	0.71	24	0.94	30	1.18	34.5	1.36	43	1.69	52	2.05	58	2.28	72	2.83	89	3.50	102	4.02	128	5.04

Tolerance :  $\pm 1.0\text{mm}$

# Square Plug



**F16**

Class  
**150**

**ISO 7/1 R**

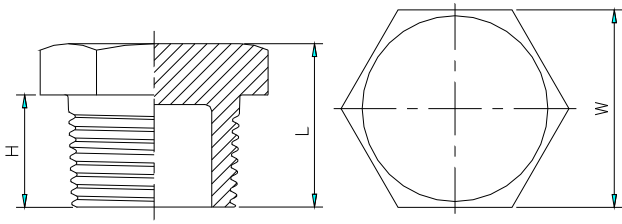
SIZE	1/4"		3/8"		1/2"		3/4"		1"		1-1/4"		1-1/2"		2"		2-1/2"		3"		4"	
	mm	in	mm	in	mm	in	mm	in	mm	in	mm	in	mm	in	mm	in	mm	in	mm	in	mm	in
S	8	0.31	10	0.39	13	0.51	16	0.63	19	0.75	22	0.87	25	0.98	29	1.4	39	1.54	44	1.73	58	2.28
L	20	0.79	20	0.79	25	0.98	26.5	1.04	33	1.30	35	1.38	35	1.38	40	1.57	47	1.85	47	1.85	53	2.09
L1	12	0.47	12	0.47	15	0.59	15.5	0.61	20	0.79	20	0.79	20	0.79	23	0.91	27	1.06	27	1.06	31	1.22
L2	8	0.31	8	0.31	10	0.39	11	0.43	13	0.51	15	0.59	15	0.59	17	0.67	20	0.79	20	0.79	22	0.87

Tolerance :  $\pm 1.0\text{mm}$





# Hexagon Plug



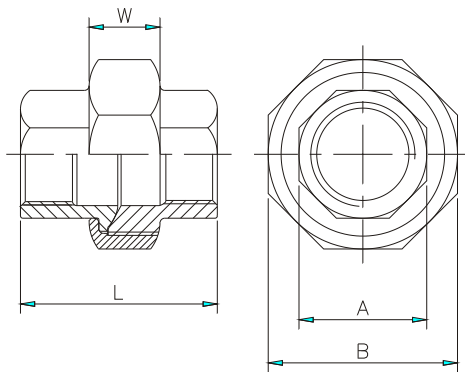
1/4" ~ 2" Hexagon  
2-1/2" ~ 4" Octagon

**F17**  
Class  
**150**  
ISO 7/1 R

SIZE	1/8"		1/4"		3/8"		1/2"		3/4"		1"		1-1/4"		1-1/2"		2"		2-1/2"		3"	
	mm	in	mm	in	mm	in	mm	in	mm	in	mm	in	mm	in	mm	in	mm	in	mm	in	mm	in
H	10	0.39	12	0.47	13.5	0.53	16	0.63	16.5	0.65	19	0.75	21.5	0.85	22	0.87	23	0.91	29.5	1.16	30	1.18
L	16	0.63	17.5	0.69	19.5	0.77	22	0.87	23.5	0.93	27	1.06	31	1.22	31.5	1.24	34	1.34	41	1.61	42	1.65
W	13	0.51	16.5	0.65	19.5	0.77	25	0.98	30	1.18	37.2	1.46	46	1.81	51.5	2.03	63.5	2.50	80	3.15	92.5	3.64

Tolerance : ± 1.0mm

# Union F/F



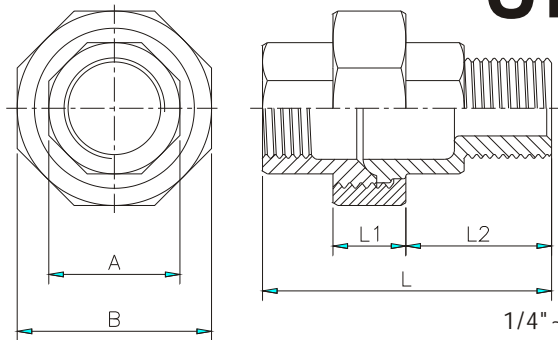
1/4" ~ 3/8" Hexagon  
1/2" ~ 1" Octagon  
1-1/4" ~ 3" Decagon

**F18**  
Class  
**150**  
ISO 7/1 Rp

SIZE	1/4"		3/8"		1/2"		3/4"		1"		1-1/4"		1-1/2"		2"		2-1/2"		3"	
	mm	in	mm	in	mm	in	mm	in	mm	in	mm	in	mm	in	mm	in	mm	in	mm	in
L	34	1.34	38	1.50	40.5	1.59	45	1.77	51	2.01	58	2.28	59	2.32	64	2.52	71	2.80	84	3.31
A	17.3	0.68	21.5	0.85	26.5	1.04	31	1.22	38	1.50	47	1.85	53	2.09	66.8	2.63	83	3.27	97	3.82
B	28	1.1	34.5	1.36	39	1.54	45.8	1.80	55	2.17	63.2	2.49	71	2.8	86	3.39	106	4.17	124	4.88
W	12	0.47	14	0.55	15	0.59	15	0.59	17	0.67	20	0.79	20	0.79	22	0.87	24	0.94	28	1.10

Tolerance : L ± 0.06mm  
A, B, W ± 0.02mm

# Union M/F

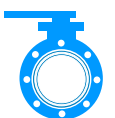


1/4" ~ 3/8" Hexagon  
1/2" ~ 1" Octagon  
1-1/4" ~ 3" Decagon

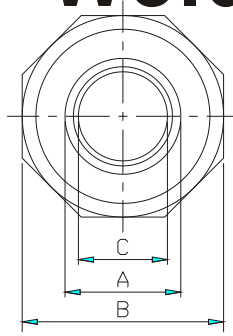
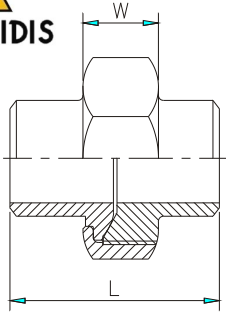
**F19**  
Class  
**150**  
ISO 7/1 Rp R

SIZE	1/4"		3/8"		1/2"		3/4"		1"		1-1/4"		1-1/2"		2"		2-1/2"		3"	
	mm	in	mm	in	mm	in	mm	in	mm	in	mm	in	mm	in	mm	in	mm	in	mm	in
A	17.3	0.68	21.5	0.85	26.5	1.04	31	1.22	38	1.50	47	1.85	53	2.09	66.8	2.63	83	3.27	97	3.82
B	28	1.1	34.5	1.36	39	1.54	46	1.81	55	2.17	63.2	2.49	71	2.79	86	3.39	106	4.17	124	4.88
L	45	1.77	53	2.09	53	2.09	60	2.36	66	2.60	74	2.91	74	2.91	83	3.27	92	3.62	104	4.09
L1	12	0.47	14.5	0.57	15	0.59	15	0.59	17	0.67	20	0.79	20	0.79	22	0.87	24	0.94	28	1.10
L2	21	0.83	26	1.02	26	1.02	29	1.14	32	1.26	34.5	1.36	34.5	1.36	39	1.54	43	1.69	48	1.89

Tolerance : L ± 1.5mm  
A, B, L1, L2 ± 0.5mm



# Welding Union BW



**F20**

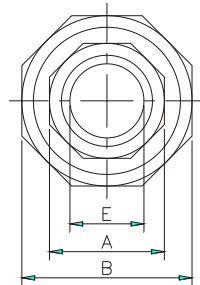
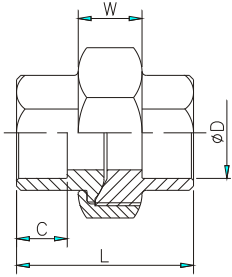
Class  
**150**

**ANSI B16.25**  
**DIN 3239/1**

SIZE	1/4"		3/8"		1/2"		3/4"		1"		1-1/4"		1-1/2"		2"		2-1/2"		3"	
	mm	in	mm	in	mm	in	mm	in	mm	in	mm	in	mm	in	mm	in	mm	in	mm	in
L	34	1.34	38	1.50	40	1.57	47.5	1.87	49.5	1.95	54	2.13	56	2.2	59	2.32	69.5	2.74	81.5	3.21
A	13.5	0.53	17.3	0.68	21.6	0.85	27.1	1.07	33.8	1.33	42.8	1.69	48.6	1.91	60.6	2.39	76.3	3.00	89.1	3.51
B	28	1.1	34.5	1.36	39	1.54	46	1.81	55	2.17	63.2	2.49	71	2.8	86	3.39	106	4.17	124	4.88
C	8.5	0.33	12.6	0.5	16	0.63	21.5	0.85	27	1.06	36	1.42	41.8	1.64	52.7	2.07	67	2.64	80	3.15
W	12	0.47	14	0.55	15	0.59	15	0.59	17	0.67	20	0.79	20	0.79	22	0.87	23.5	0.93	27	1.06

Tolerance : L ± 1.5mm  
A,B,C,W ± 0.5mm

# Welding Union sw



**F21**

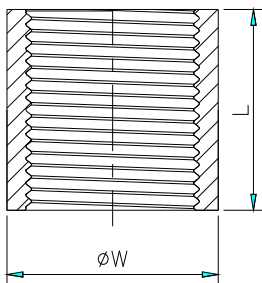
Class  
**150**

**DIN 3239/2**

SIZE	1/2"		3/4"		1"		1-1/4"		1-1/2"		2"		2-1/2"		3"	
	mm	in	mm	in	mm	in	mm	in	mm	in	mm	in	mm	in	mm	in
L	40.5	1.59	45	1.77	51	2.01	55	2.17	57.5	2.26	64	2.52	71	2.8	84	3.31
A	26.5	1.04	31	1.22	38	1.5	48.5	1.91	54.5	2.15	66.8	2.63	83	3.27	97	3.82
B	39	1.54	45.8	1.8	55	2.17	65.5	2.58	74	2.91	86	3.39	106	4.17	124	4.88
W	15	0.59	15	0.59	17	0.67	21	0.83	21	0.83	22	0.87	24	0.94	28	1.1
C	9.5	0.37	10	0.39	13	0.51	13	0.51	13	0.51	13	0.51	18	0.71	19	0.75
D	22	0.87	27.2	1.07	34.3	1.35	43	1.69	49	1.93	60.8	2.39	74	2.91	89.5	3.52
E	18.5	0.73	23.5	0.93	29.5	1.16	38	1.5	44	1.73	55.7	2.19	66.5	2.62	82.5	3.25

Tolerance : L ± 1.5mm  
A,B,W,C,D,E ± 0.5mm

# Coupling



**F22**

Class  
**150**

**ISO 7/1 Rp**

SIZE	1/8"		1/4"		3/8"		1/2"		3/4"		1"		1-1/4"		1-1/2"		2"		2-1/2"		3"		4"	
	mm	in	mm	in	mm	in	mm	in	mm	in	mm	in	mm	in	mm	in	mm	in	mm	in	mm	in	mm	in
L	20	0.79	25	0.98	25	0.98	33	1.3	35	1.38	42	1.65	47	1.85	47	1.85	56	2.20	65	2.56	70	2.76	80	3.15
W	14	0.55	18.5	0.73	21.5	0.85	26	1.02	32	1.26	39	1.53	48	1.89	54	2.12	66.5	2.62	82	3.23	95	3.74	122	4.8

Tolerance : ± 1.0mm





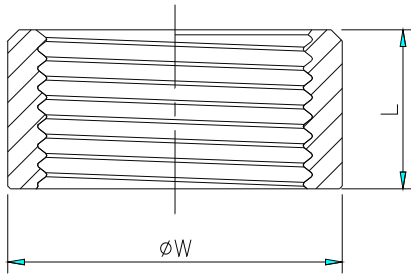


# Half Coupling

**F23**

Class  
**150**

**ISO 7/1 Rp**



SIZE	1/8"		1/4"		3/8"		1/2"		3/4"		1"		1-1/4"		1-1/2"		2"		2-1/2"		3"		4"	
	mm	in	mm	in	mm	in	mm	in	mm	in	mm	in	mm	in	mm	in	mm	in	mm	in	mm	in	mm	in
L	11	0.43	11	0.43	14	0.55	16	0.63	18	0.71	20	0.79	23	0.91	23	0.91	27	1.06	32	1.26	35	1.38	38	1.5
W	14	0.55	18.5	0.73	21.5	0.96	26	1.02	32	1.26	39	1.53	48	1.89	54	2.12	66.5	2.62	82	3.23	95	3.74	122	4.8

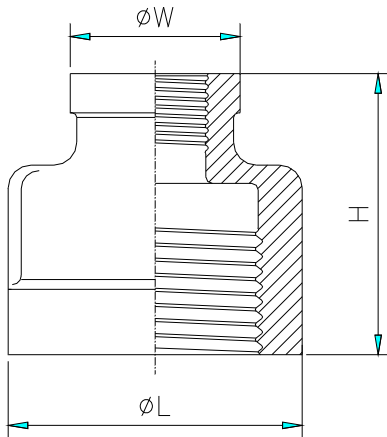
Tolerance : L ± 1.5mm  
W ± 1.0mm

# Reducing Socket

**F24**

Class  
**150**

**ISO 7/1 Rp**



SIZE	3/8x1/8		3/8x1/4		1/2x1/8		1/2x1/4		1/2x3/8		3/4x3/8		3/4x1/2		1x3/8	
	mm	in	mm	in	mm	in	mm	in	mm	in	mm	in	mm	in	mm	in
L	22	0.87	22	0.87	28	1.1	28	1.1	28	1.1	34	1.4	34	1.4	42	1.65
H	29	1.2	29	1.2	34	1.34	34	1.34	34	1.34	36	1.42	36	1.42	41	1.6
W	18.3	0.72	18.3	0.72	19.5	0.77	19.5	0.77	23	0.91	28	1.1	28	1.1	28	1.1

SIZE	1x1/2		1x3/4		1-1/4x1/2		1-1/4x3/4		1-1/4x1		1-1/2x1/2		1-1/2x3/4		1-1/2x1	
	mm	in	mm	in	mm	in	mm	in	mm	in	mm	in	mm	in	mm	in
L	42	1.65	42	1.65	50	1.97	50	1.97	50	1.97	57	2.24	57	2.24	57	2.24
H	41	1.60	42	1.65	46	1.81	46	1.81	47	1.85	47	1.85	47.5	1.87	49	1.93
W	28	1.1	33.8	1.33	33.8	1.33	34	1.34	41.5	1.63	34	1.34	34	1.34	41.5	1.63

SIZE	1-1/2x1-1/4		2x3/4		2x1		2x1-1/4		2x1-1/2		2-1/2x1-1/4		2-1/2x1-1/2		2-1/2x2	
	mm	in	mm	in	mm	in	mm	in	mm	in	mm	in	mm	in	mm	in
L	57	2.24	70	2.76	70	2.76	70	2.76	70	2.76	88	3.46	88	3.46	88	3.46
H	51	2.01	55	2.17	55	2.17	59	2.32	59	2.32	58.7	2.31	61	2.40	61	2.4
W	50	1.97	41.5	1.63	41.5	1.63	57	2.24	57	2.24	50.5	1.99	57	2.24	70	2.76

Tolerance : ± 1.0mm

